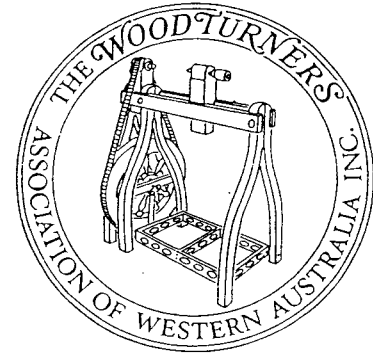


# THE WOODTURNERS

ASSOCIATION OF WESTERN AUSTRALIA INC.



PRESIDENTS COMMENTS .....	2	NEWS FROM GROUPS .....	4
WEEKEND CALENDAR.....	2	MEDIA RELEASE .....	5
CHRISTMAS PROGRAMME .....	3	HANDY TIPS.....	5
WORKSHOP MEETING.....	3	ANNUAL SEMINAR .....	6
COMPETITION .....	4	TREASURERS REPORT .....	6
LETTERS TO EDITOR.....	4	ASSOCIATION COMMITTEE .....	7
		BANDSAW BOWL BLANK.....	7

**No:60**

**DEC./JAN. 1995/6**

If undelivered return to  
Woodturners Association of W.A.  
P.O. Box 941  
West Perth 6872

Print Post Approved  
PP643938/0039

**SURFACE  
MAIL**

**POSTAGE  
PAID  
AUSTRALIA**

L. NICHOLLS  
688 PRESTON POINT ROAD  
EAST FREMANTLE 6158

559

### W.A.W.A. GROUPS MEETING TIMES, DATES AND VENUES.

- BUNBURY.** 1st and 3rd Wednesday. 7pm. Cross Electrics.
- BUSSELTON.** 1st and 3rd Wednesday. 7pm. Venue. High School.
- CENTRAL/MIDLANDS.** 4th Saturday of every month. Moora High School. (Depending on availability of venue).
- CENTRAL/SOUTHERN.** 2nd and 4th Wednesday. Brookton District High School.
- COLLIE.** Sundays 9.15am to 4pm. Various home workshops.
- KENWICK.** 1st and 3rd Wednesdays. 7.30pm Liddlelow Homestead, Cooper Avenue, Kenwick.
- MANDURAH.** Every 2nd Tuesday 3pm from 15th February. Mandurah High School, Gibla Street, Mandurah. Check with Convenor for locations during school holidays.
- MELVILLE.** 4th Thursday. 7.45pm Palmyra Recreation Centre, Cnr Murray Rd and Canning Hwy, Melville.
- MIDVALE.** 2nd Tuesday. 7pm The Woodworking Centre 36 Farrall Road, Midvale.
- MUNDARING.** Every Friday. 7.30pm. Old Parkerville Primary School, Cnr Dura Road and Riley Road, Parkerville.
- NORTH OF RIVER.** 4th Tuesday. 7pm Woodstock 13 Cressall Road, Balcatta.
- WANDI.** 1st and 3rd Thursday. 7pm. Wandi Community Hall, Lot 33 DeHaer Rd, Wandi.

## PRESIDENT'S COMMENTS.

We are now at the end of another year and looking forward to an even better year in 1996. I have had many a member talk to me and suggest that we need to look harder at our weekend workshops to improve them. The comment from many is: "They are getting stale and boring". When I ask what can you suggest we do to improve them, the answer comes back, "I don't know, but someone has to do something".

Now I am going to take a chance here and hope that I don't offend anyone. It would be nice to have some members come and say "What can I do, I have a few thoughts". Unfortunately, and this is the same in all clubs, it is always the same members who care enough about the Association, to help. The problem is these old members are getting weary and could do with some new blood. So don't just take, try giving a little back. Please feel free to approach myself, the committee or your club convenor and say what you would like us to do.

See you all at our Christmas function.

Safe Turning, Russ.

---

### CAN YOU HELP !! MISSING DRAWINGS

In January, 1995, Max Hayles, our Weekend Co-ordinator, loaned a set of drawings for a model horse drawn wagon to one of our members.

These drawings **HAVE NOT** been returned and Max has mislaid the name and address of the member who borrowed them. Would this member kindly ring Max on (09) 349 4125, Urgently.

---

### NEWS FLASH !!!

**SOUTHSIDE WOODTURNING SUPPLIES HAVE MOVED.** You can now find us at:

Unit 2, 6 Harrison Street, Willagee.

Please note our new phone number: 314 2226. We thank you for your continuing support and look forward to seeing you soon.

---

### REMINDER.

**ANNUAL FEES WERE DUE ON THE 16TH SEPTEMBER. DON'T RISK BECOMING UNFINANCIAL AND HAVING TO AGAIN PAY THE JOINING FEE. COMPLETE THE BLUE RENEWAL FORM INCLUDED IN THE OCTOBER / NOVEMBER NEWSLETTER AND SEND TO THE MEMBERSHIP SECRETARY WITH YOUR CHEQUE FOR \$20 TODAY !!!!**

## ASSOCIATION WEEKEND CALENDAR.

Date: **16th December, 1995. Saturday Only.**  
Venue: Beau Don Room, Gloucester Park. East Perth. Christmas Luncheon.  
Competition: Best Thing Turned in 1995.  
Host Group: Your Committee.  
**This is our Christmas Meeting, for further details, see Page 3. Deadline for bookings 6th DECEMBER.**

Date: **20th January, 1996. Saturday Only.**  
Venue: Loftus Community Centre, Loftus Street, Leederville.  
Competition: A pair of wall lamps, split or spindle turning or whatever.  
Host Group: Kenwick.  
Trade Supplier: WOODSTOCK.

Date: **17/18th February, 1996.**  
Venue: Showgrounds, Brunswick Junction.  
Competition: Lidded Box (with inlay)  
Host Group: Bunbury.  
Trade Supplier: Cross Electrics.

Accommodation: See page 3.

---

### DEMONSTRATIONS, EXHIBITIONS, SALES.

20th -21st January. 1996 Hobby Spectacular, Claremont Show Grounds.

4th - 9th March. Bull Creek Shopping Centre. Benningfield Road, Cnr South Street, Bullcreek.

For further information on forthcoming Demonstrations, Exhibitions and Sales, contact:  
John Lillywhite Phone: (09) 339 2359  
Len Nicholls Phone: (09) 339 6490

---

### COUNTRY WEEKEND MEETINGS.

**JIM PEMBER** of North of the River Group will organise a bus to go to country meetings if sufficient members are interested. Those who are interested in going to country meetings on the bus, please ring Jim on: (09) 409 9124.

Keep this in mind for the **BRUNSWICK** weekend.

---

**FOR SALE. ONE 4ft BED T-GEM LATHE**, with cam locks, in good working condition with some accessories including ring centre, live centre and tool rest. Asking price \$800 or nearest offer.

Phone Kim O'Brien: (09) 328 4137. Member No. 136

**FOR SALE. WOOD FAST TAIL STOCK.** 6" centre height, cam lock, through bore. As New \$200.

Phone Ivor Bridges: (09) 295 1867.

---

### NOMINATION FEE INCREASE

At the AGM on the 16th September, 1995, it was passed that the nomination fee be increased to \$25.00.



**CHRISTMAS PROGRAMME.  
SATURDAY, 16th DECEMBER, 1995.**

**VENUE:** "BEAU DON" Room, Gloucester Park.  
Nelson Avenue, East Perth.  
Ample Free parking within the grounds.

**BOOKING:** \$18.00 per person. Make your reservation at the desk at weekend workshop meetings, or phone Max or Mavis Hayles (09) 349 4125.

**Booking Deadline: 6th December.**

**PROGRAMME:**

- 10.30 - 12.00 Set up exhibits "Best thing turned in 1995"
- 11.30 am Members and Guests arrive to be greeted by President and Committee Members. Fellowship. Cash Bar will be open.
- 1.00 pm Luncheon - Buffet Menu.
- 2.00 pm Voting Closes.
- 2.45 pm President's address.
- 3.00 pm "Show and Tell"
- 3.20 pm Guess the Wood Results.
- 3.25 pm Prize Presentation for "Best Thing Turned; and Annual Cumulative Points Prize Presentation.
- 4.00 pm Close.

**MENU:**

**Buffet.**  
 Madras Beef Curry.  
 Chicken a la King.  
 Lasagne.  
 Rice Pilaf.  
 Assorted Pastry Platters.  
 Anti Pasta Platters.  
 Honey Baked Ham Platters.  
 Garden Salad.  
 Crusty Bread Rolls.

**Dessert.**  
 Fresh Fruit Salad.  
 Selection of Cheese Cake and Cream.

Tea and Coffee.

**DON'T MISS OUT !!  
BOOK NOW BY PHONING  
MAX OR MAVIS HAYLES. (09) 349 4125.**



**WAWA WORKSHOP MEETING 20th JANUARY, 1996.  
LOFTUS COMMUNITY CENTRE,  
Cnr Richmond and Loftus Streets, Leederville.**

The KENWICK group welcomes all members, partners and friends to the first WAWA gathering for 1996. We have a varied and interesting program prepared for your enjoyment.

**CONVENOR:** Peter Dessent.  
**MC:** George Herring  
**HANDS ON:** Pen Blanks Mini Lathe, John Currie  
**INSTRUCTORS:** Tool Sharpening, Ivor Bridges. Two hour block morning and afternoon.  
**TRADE SUPPLIER:** WOODSTOCK.

**COMPETITION ITEM:** Pair of Wall Lamps, Split or Spindle Turning or Whatever.

**PROGRAM SATURDAY 20th JANUARY, ONLY.**

- 8.00 am Chuck Wagon arrives, set up venue.
- 8.30 Registration and fellowship.
- 9.00 Announcements.
- 9.15 "New Ideas" - Chris Murdock.
- 10.00 MORNING TEA. Members please bring a plate.
- 10.30 Ladies. Microwave Cooking.**
- 10.30 "Tulip Vase" - Neil Piper.
- 11.15 "Introduction to the Australian Woodcraft Federation" - Jon Croft.
- 12.00 Competition Entries Close, Voting Begins.  
LUNCH. **Sausage Sizzle.** Provided by Gosnells Ranger Guides and Joey Scouts.
- 1.00 pm Ladies. "Imitation Leadlighting"**
- 1.00 "Spindle Turning Table Legs" - John Shinnick.
- 2.00 "Water Based Stains with LIBERON Products" - Roy Lundy.
- 3.00 AFTERNOON TEA.
- 3.30 "Goblet Turning" - Gordon Ward.
- 4.30 "Burl Turning" - Russ Russell.
- 5.30 PRESIDENT'S FORUM. Please bring a gadget / widget, or a special item to share with us.
- COMPETITION RESULTS.  
GUESS THE WOOD.  
CLEAN UP, LOAD THE CHUCK WAGON.

**PRELIMINARY NOTICE, BRUNSWICK WEEKEND  
17th/18th FEBRUARY, 1996.**

To be held at the Showgrounds, Brunswick Junction. Turn off South West Highway into Ridley Street. Format to be similar to previous years.

**CONVENOR:** Mick Johnson. **MC:** Ted Norrie.

**SATURDAY EVENING MEAL.** (Proposed) Webber cooked beef with salads etc. at Brunswick Fire Station. Cost to be advised.

**ACCOMMODATION:**

Brunswick Tavern:	Phone: 097 261032
Brunswick Caravan Park:	097 261544
Leschenault Inlet Caravan Park:	097 971095
Evendom Bush Log Cabins:	097 263012
Harvey Wagon Wheels Motel:	097 291408
Home Stay - Contact Rod Williams:	097 971248

## COMPETITION SEPTEMBER, LEEDERVILLE.

### Miniature Pedestal (Max 400 mm high)

There were seventeen entries, 6 Beginners, 3 Intermediate and 8 in the Open category. It was clear from these fine pedestals that a lot of thought and effort had gone into making them. Great interest was shown by the members attending and 110 of them voted.

#### RESULTS

<b>Beginners.</b>	1st Val Pereira - Jarrah	(61)
	2nd Frank Leder - Mulga	(64)
	3rd Rex Bungey - Jarrah	(66)
<b>Intermediate.</b>	1st Jack De Vos - Jarrah	(41)
	2nd Gerald Young - Jarrah and Sandalwood	(43)
	3rd Milton Rundle - Jarrah	(42)
<b>Open.</b>	1st David Devereux - Cape Lilac	(28)
	2nd Ron Goodson - Jarrah	(22)
	3rd David Devereux - Jarrah	(25)

**Ladies Choice:** Kevin Pritchard.

## COMPETITION OCTOBER, BROOKTON.

### Clock (Max face dia 150 mm.)

There were eighteen entries, 6 beginners, 4 intermediate and 8 in the open category. The standard of design, workmanship and finish on the clocks was particularly high, with a great variety of designs. Many members expressed their admiration of the showing and hopefully this will lead to a greater number participating in future competitions. 62 members voted.

#### RESULTS

<b>Beginners.</b>	1st Derek Pollard - Cape Lilac/Jarrah	(63)
	2nd Val Pereira - Sheoak	(62)
	3rd David Hunter - Curly Jarrah	(64)
<b>Intermediate.</b>	1st Jack De Vos - Olive/Snakewood	(43)
	2nd Gerald Young - Jarrah Burl /Sassafras / Rosewood	(44)
	3rd Max Hayles - Jarrah	(42)
<b>Open.</b>	1st Bob Nichols - Jarrah and Brass	(25)
	2nd Bill Botman - Salmon Gum Burl	(26)
	3rd Ron Goodson - Camphor Laurel	(21)

**Ladies Choice:** Jack De Vos.

## A LESSON IN PERSISTENCE !

Two frogs were once jumping about happily on a dairy farm when they accidentally jumped into a bucket of cream. "May as well give up" croaked one frog after trying in vain to jump out, "We're definitely goners!"

"Keep on paddling" said the other frog, "We'll get out of this mess somehow!"

"It's no use", said the negative frog, "It's too thick to swim, too thin to jump; too slippery to crawl. We're bound to die sometime anyway, so it may as well be tonight". He gave up and sank to the bottom of the bucket.

The positive frog just kept on paddling and paddling, paddling and paddling, all night long. By morning, he was perched on a mass of butter which he had churned all by himself. There he was, with a grin on his face, eating the flies that came swarming from every direction. That little frog had discovered what most people ignore:

**IF YOU STICK TO A TASK LONG ENOUGH,  
YOU'RE GOING TO BE A WINNER!**

## LETTERS TO THE EDITOR .....

### "THE CONSTITUTION"

Valued members, please don't ever change the Constitution. It is for your guide and protection. Times may come bringing difficult situations, however, with that very important document, various problems can be resolved. Change it and there can be vexation.

The building of the Constitution would have, no doubt, taken a considerable amount of sincere thought, time and investigation, with the wisdom of that present time and the future in mind. Make use of the knowledge wisely; protection is then assured.

My thoughts are not as wise as the foundation members, but, we are secure with their sagacious planning.

Kevin Pritchard.

*I would like to make a suggestion and would like to know how other readers feel.*

*I think that any instructor and teacher that takes students through a course that qualifies them to be competent and safe as demonstrators in the operation of the lathe should be issued with a certificate that shows that they are recognised as competent teachers and instructors authorised by the Western Australian Woodturners Association to take such courses.*

*I also think that those students that take these courses and subject to satisfactorily passing, also be issued with a certificate that shows they are qualified demonstrators. There could be a small fee (say) \$5.00 or \$10.00 to cover the cost of such certificate and registration.*

*K E Hunt. Member No. 844.*

## NEWS FROM GROUPS.

There will be no DECEMBER meeting for the **MELVILLE GROUP**. The next meeting will be the 25th JANUARY, commencing at the new time of 7.45 pm.

On Tuesday 5th September, sixteen **MANDURAH GROUP** members met at the CALM Office in Harvey, where permits were obtained to collect craft wood from an area where some jarrah trees had been felled to clear for roadwork, about 40 kms from Harvey, along the Harvey-Quindanning Road. By the side of the road in this beautiful forest setting, Ken Ford selected a jarrah tree, the trunk of which was about one metre in diameter and about six metres in length. Fortunately this trunk had fallen across the trunk of a smaller tree so that it rested about half a metre above the ground making it easier for chainsawing.

Ken gave a very interesting and informative talk on chain saw safety and demonstrated how to examine for potential defects such as shakes and splits in the trunk, so that the log could be slabbled to give the best results when seasoned. After this demonstration everybody got busy with much enthusiasm. We headed back to Mandurah mid-afternoon with trailers loaded with slabs and blocks all sealed ready for seasoning.  
Ken Byfield.

**WANDI GROUP** advise that the average attendance at their meetings has risen to 22 and on one occasion peaked at 26. It is good to see the enthusiasm of many new turners and the equal enthusiasm of the more experienced turners lending a hand. Thanks to those turners who have come along from other groups to assist.

**WANDI** would like to invite members of **WAWA** to their Christmas break up on 7th December at 7 pm in the Wandii Community Hall, Lot 33 De Haer Road, Wandii. Please contact the Secretary 410 2009 to assist us with numbers. Gordon Wilkins has agreed to give a talk on his hollow forms and will bring along samples of his work. The cost will be \$1 per head, please bring a plate and BYO. Tea and coffee provided. We would like to notify members that Jack Pallas has moved on to greener pastures or a better timber supply at Mt Barker. We would like to wish him all the best. From all the turners at **WANDI**, thanks for all the assistance with the formation of this new group Jack.  
Rodney Cocks, Secretary, Wandii.

## 1996/97 COMPETITION SUBJECTS.

Gerald Young has supplied the list of Weekend Workshop competition items for 1996 and January 1997, so you can all get started on looking for just the right piece of wood now.

- FEB. LIDDED BOX (with inlay)  
MAR. NATURAL EDGED BOWL (300mm max dia)  
APR. PLATTER IN TWO TIMBERS.  
MAY. SQUARE EDGED BOWL (300mm max dia)  
JUNE. CANDLESTICK – to drawing to be supplied.  
JULY. CLOCK (max dia of face 200mm)  
AUG. SPECIMEN VASE in two or more timbers.  
(max height 200mm)  
SEPT. SPLIT TURNING.  
OCT. TABLE LAMP (electric or oil)  
NOV. MINIATURE PEDESTAL (max height 400mm)  
DEC. BEST THING TURNED ALL YEAR.  
JAN 97 THIN TURNING (max thickness 2mm)

Happy Turning.

### HANDY TIPS.

If you have green wood and you don't have the time to turn it right away, put it in a tub of water and leave it there until you are ready to turn it. You can leave it there indefinitely and it will not check or crack.  
Russ.

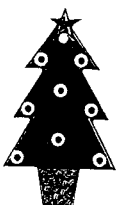
**HANDY HINTS USING VINEGAR**, thanks to Warragul Woodwork Club and the Forest Hill Woodturners Inc. Newsletter.

**Wood Scratches** can be repaired by painting with a mixture of equal parts of vinegar and iodine. Add more iodine to make darker, or more vinegar to lighten.

**To soften old glue for removal** – wet with vinegar and keep wet overnight. Even some new super glues may be softened with soaking in vinegar overnight.

**Furniture Polish No 1.** Mix a cup of linseed oil, an eighth of a cup of vinegar and an eighth of a cup of whiskey. Mix well together. Cleans and polishes.

**Furniture Polish No 2.** Mix three parts of vinegar, one part of lemon oil for a light weight polish. For a heavy polish, use one part vinegar to three parts of lemon oil. Cleans and polishes.



MERRY CHRISTMAS AND  
A HAPPY NEW YEAR

The Editor and Staff.

## MEDIA RELEASE

### WA'S FIRST COURSE IN FINE WOOD CRAFT AND DESIGN.

The School of Wood, was today awarded the tender to manage Western Australia's first **Associate Diploma of Arts – Wood Design**. The School of Wood housed in the Forest Heritage Centre, is Western Australia's specialised fine wood training centre. The Associate Diploma is the only one of its type in the state.

The Director of the School of Wood, Malcolm Harris, today said:

"This is great news for the School of Wood. Western Australia has a strong tradition of fine wood craftspeople. This course will meet the training needs of those keen to work in the fine wood industry as employees or self-employed craftspeople."

The course will cover design, history of art, communications, drawing, woodcraft, wood technology, photography and art business practice and marketing.

Mr Harris went on to say:

"I see it as essential for a viable long term industry that students receive training in three important elements: design, craftsmanship and business practice. All three are vital to aid graduates make a sustainable living out of their craft."

Students will have access to technology formed around best industry practice, the Bunnings Artist in Residence Program and upon successful completion of the Associate Diploma, work studios at very attractive rates.

The Forest Heritage Centre is nestled amongst the jarrah forests of the historic timber town of Dwellingup, one hour south of Perth. The complex contains not only the School of Wood but also the Forest Heritage Gallery and a forest interpretation centre. This unique rammed earth structure is based on three gum leaves, in keeping with the surrounding environment. Student accommodation is available adjacent to the site or in the nearby area.

Premier Richard Court will open the centre on Saturday the 2nd December, 1995. Conducted tours of the centre will be available from 2.00 pm.

The Associate Diploma will start in February 1996 and potential students and lecturers may obtain further information from:

Malcolm Harris, Director, School of Wood, Forest Heritage Centre, Acacia Street, Dwellingup WA 6213.  
Phone: (09) 538 1395. Fax: (09) 538 1352.

Issued: 10th November, 1995.

### CONGRATULATIONS TO OUR MEMBERS

**R J H BROOKS** on winning prizes in the following sections at the Royal Show: *Special Sash, Most points Open: Two pairs of lace bobbins: Pair of anything: Four egg cups or goblets on a tray: Set of miniatures:*

**H A P WALKER** on winning prizes in the following sections: *Special Sash, Most points Amateur: Woodturning any article, blackboy or indigenous timber: Any item of woodwork or woodturning technique.*

**WESTERN AUSTRALIAN WOODTURNERS ASSOCIATION  
PROPOSED FIRST ANNUAL SEMINAR 1996**

**The Purpose of the Seminar.**

- To have a very informative and informal two day hands on workshop.
- To encourage Novice, Intermediate and Advanced Turners to spend two full days of fellowship, exchanging ideas and asking questions.

**The Theme of the day will be:  
LOOK .... LISTEN .... LEARN**

**How will it work ?**

Turners will be encouraged to bring along their lathe, tools, wood and expertise. Everyone will set up their gear on the floor with everyone else and turn what they want to. They will turn at their own pace and take breaks when they wish. People who cannot bring a lathe will be encouraged to bring along their tools and wood and take advantage of the lathes when they are not being used and be instructed by someone who wishes to do so. There will also be turners able to show inexperienced turners how to sharpen their chisels and to give valuable advice.

Each person will be responsible for their own equipment and mess. This will take the pressure off any one person at the end of the day.

Invitations will be sent to the top turners in WA in the hope that they may take advantage of the opportunity of catching up with friends in the one place at the same time. This will also give us a chance to see these turners at work. No one turner will be under pressure to go on stage to demonstrate. We will also invite a blacksmith to attend as well, as his expertise in the art of tool making and tempering would be an advantage.

At the end of the days work, we could enjoy an evening meal and take the time to just relax and discuss the days events and achievements and plan what we are going to do the next day.

**Location.**

Wandi Community Hall, Lot 33 De Haer Road, Wandi. This is about twenty minutes down the Freeway from the centre of Perth. Also about the same time from Fremantle.

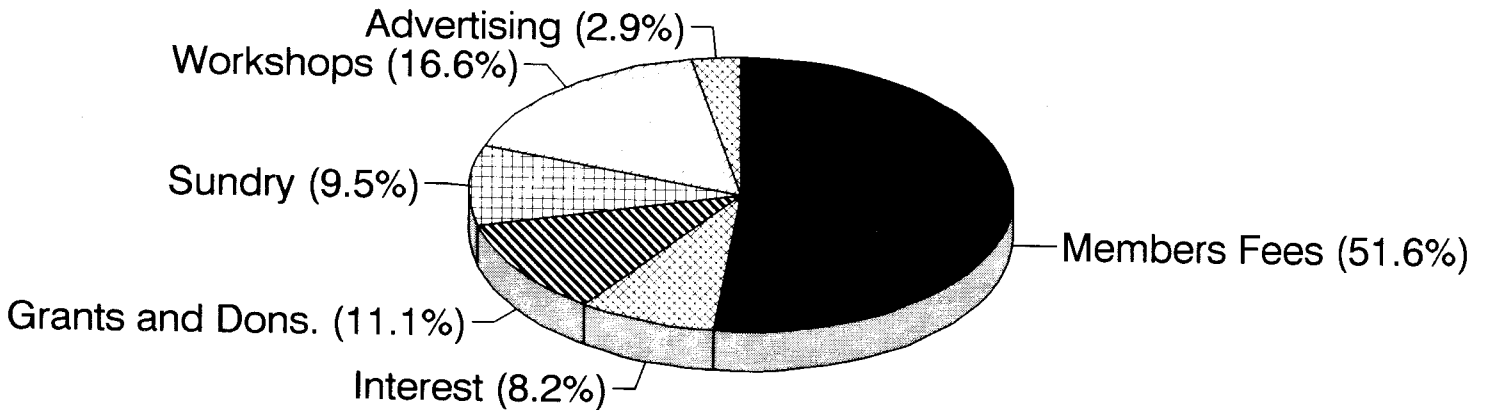
**Accommodation.**

There is space at the Centre for Caravans. Showers and toilets are provided.

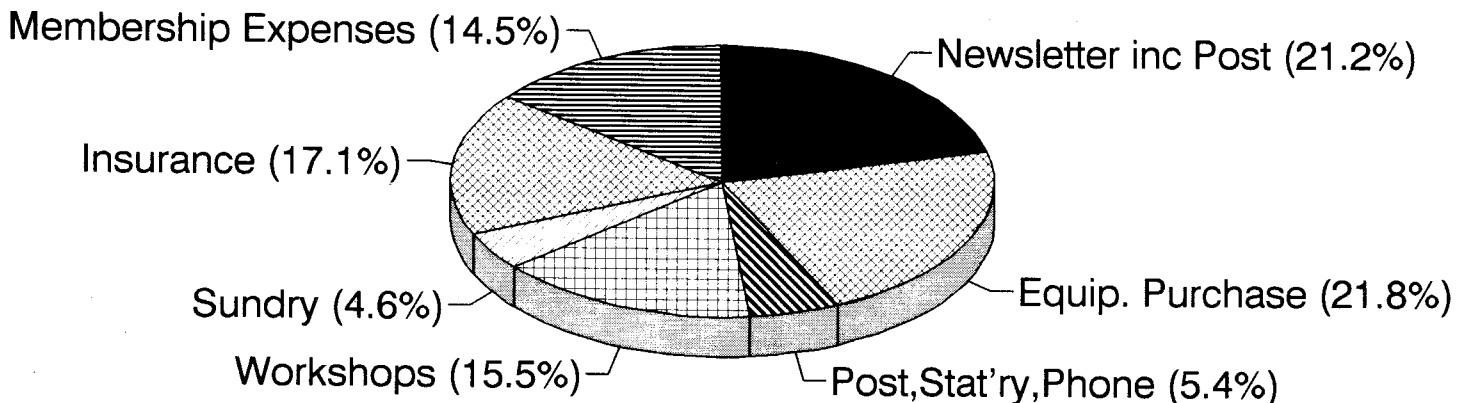
No date has yet been set.

**GRAPHIC SUMMARY OF THE TREASURER'S REPORT.**

**TOTAL INCOME for the year ended 30th June, 1995. \$ 29,187.**



**TOTAL EXPENSES for the year ended 30th June, 1995. \$ 23,508.**



**WOODTURNERS ASSOCIATION OF WA (INC.)  
Committee and Group Convenors and Secretaries 1995/96.**

<b>PRESIDENT</b> Russ Russell Phone/Fax: 09 337 7631 Mobile: 019 68 1098	<b>VICE PRESIDENT</b> Neil Piper Phone: 09 398 2387	<b>SECRETARY</b> Neil Basden 14 Thurlow Avenue Yokine 6060 Phone: 09 349 1082	<b>TREASURER</b> Milton Rundle Phone: 09 385 9559	<b>PAST PRESIDENT</b> Jon Croft Phone: 09 527 8048
<b>COMMITTEE</b>				
<b>SAFETY OFFICER</b> Kevin McCrackan Phone: 09 310 1057	<b>VIDEO LIBRARIAN</b> Neil Piper Phone: 09 398 2387	<b>SHOP/C/SHOWS C.ord</b> John Lillywhite Phone: 09 339 2359	<b>PROPERTY OFFICER</b> Dig Constant Phone: 09 349 7637	<b>MONTHLYW/SHOPC.ord</b> Russ Russell and Neil Piper Russ: 09 337 7631 Neil: 09 398 2387
Max Hayles Phone: 09 349 4125	Les Small Phone: 09 364 6143	Kevin Pritchard Phone: 096 42 1332	Bob Power Phone: 09 479 1306	Michael Head Phone: 09 361 1469
Neville Threlfo Phone: 09 398 3313		<b>MEMBERSHIP SEC.</b> Cheryl Russell JP 19 Mopsa Way Coolbellup 6163 Phone/Fax: 09 337 7631 Mobile: 015 382 953		<b>EDITOR</b> Robin Halbert P O Box 941 West Perth 6872 Phone: 09 322 2633 Fax: 09 321 1172

**CONVENORS AND SECRETARIES 1995/96**

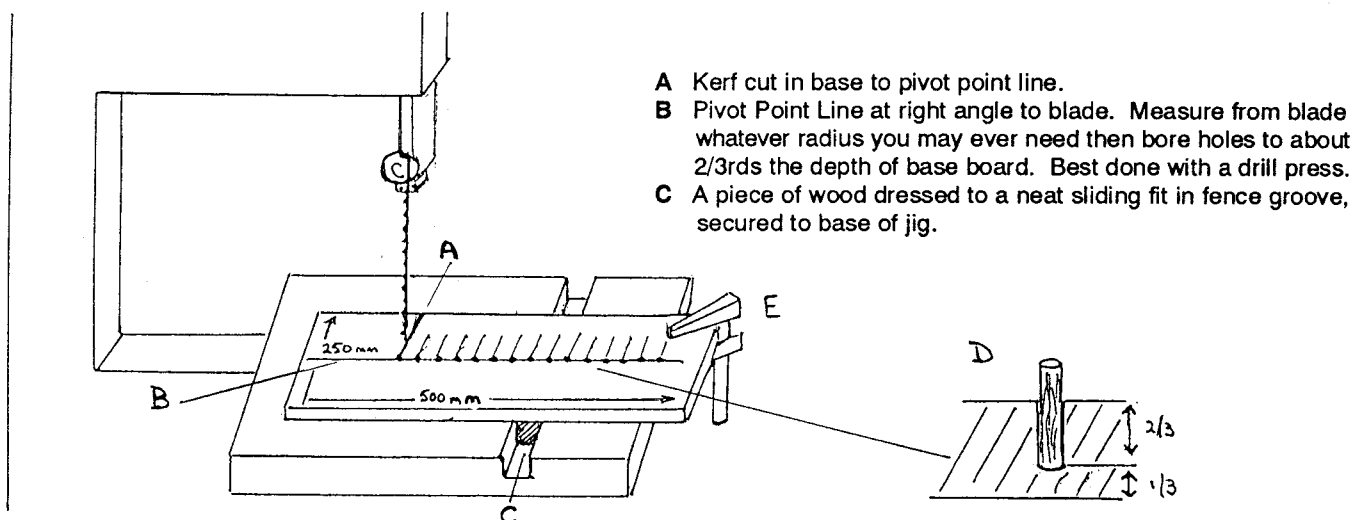
Group	Convenor		Secretary	
BUNBURY	Mick Johnson	Phone: 097 21 4164	Rod Williams	Phone: 097 97 1248
BUSSELTON	Cyril Jones	097 55 3606	Charles Sexton	097 55 3445
CENTRAL MIDLAND	Keith Lenane	096 51 1904	Les Lenane	096 51 1248
CENTRAL SOUTHERN	Dick Keyser	096 42 1167	Kevin Pritchard	096 42 1332
COLLIE	John Wallace	097 34 1209	Les Beauglehole	097 34 1445
KENWICK	Peter Dessent	09 398 1297	George Herring	09 497 4719
MANDURAH	Keith Byfield	09 581 3864	Neil Armstrong	09 534 3355
MELVILLE	Brian Fowlie	09 457 1166	Cheryl Russell JP	09 337 7631
MIDVALE	Jim McDonnell	09 294 3511	Clem Stewart	09 274 6007
MUNDARING	Brian Adams	09 295 4486	Keith Hamilton-Brown	09 294 1008
NORTH OF THE RIVER	Peter Lowe	09 387 5268	Jim Bell	09 345 2039
WANDI	John Porter	09 419 3357	Rod Cocks	09 410 2009

**BANDSAW BOWL BLANK JIG – George Rosewarne, Bunbury.**

Base of jig can be made from any scrap chipboard or plywood approx 12mm to 20mm thick round 500mm x 250mm

To operate, bore hole in centre of wood blank, place over pin in appropriate hole. Start band saw. Slide jig with blank in place until blade reaches pivot line. Secure "G" clamp if needed then pivot blank to cut circle.

This is a concept, not a plan, and can be varied to suit your needs.



# WOODSTOCK

Timber Tools & Hardware PTY LTD

## TIMBER

13 Cressall Road,  
Balcatta WA 6021  
Phone (09) 345 4522  
Fax: (09) 240 1014

PINE	MAHOGANY
JARRAH	TEAK
TAS OAK	AM RED & WHITE OAK
SHEOAK	EBONY
WANDOO	BLACKWOOD
TUART	MALAY KAURI
POPLAR	NYATOH
ASH	MERANTI
WALNUT	W.R. CEDAR
CHERRY	OREGON
JELIJONG	

## LATHES TOOLS

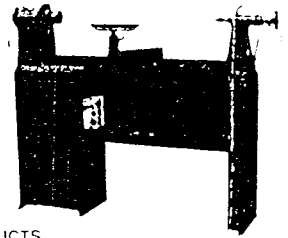
SAWS  
JAPANESE TOOLS  
SINGLEY DRUM SANDERS  
SHARPENING STONES  
WOODTURNING TOOLS  
WOODCARVING  
SPOKESHAVES  
PLANES

10 JOHN STREET  
BENTLEY 6102  
PHONE 356 1653  
FAX 321 4200

## CRAFT ACCESSORIES



# Willetton Hardware



**PRODUCTS**  
Makita power tools, Triton work centre, Tough lathes, band saws, finishes, Woodfast lathes, clock movements, Sorby woodturning chisels, cutlery blanks, P&N woodturning chisels, barometers, thermometers, hygrometers.

**SERVICES**  
Saw and tool sharpening, key cutting. Open 7 days per week

**CONTACT** Philip R. Knowles  
**PHONE** (09) 457 8323  
**ADDRESS** 3/9 August St, Willetton WA 6155

W.A.'s



## WOODTURNING CENTRES



CROSS ELECTRICAL SUPPLIES

90 BLAIR STREET, BUNBURY

PHONE (097) 21 5858

THE WOODWORKING CENTRE

36 FARRALL ROAD MIDVALE WA 6056

ALL YOUR NEEDS FOR:

PHONE (09) 274 5655 FAX (09) 250 1584

### LEISURE ACTIVITIES WITH WOOD

WOOD LATHES: Tough, Woodfast, Teknatool, Durden, Vicmark

WE HAVE:

THE EQUIPMENT AND ASSOCIATED CRAFT ACCESSORIES  
CHISELS, BOOKS, VHS TAPES AND CAN ORGANISE YOUR LESSONS

## SOUTHSIDE WOODTURNING SUPPLIES SPECIALISTS IN

### WOODTURNING & WOODWORKING MACHINERY

- |                        |                        |                        |
|------------------------|------------------------|------------------------|
| • Wood Turning Lathes  | • Bandsaws             | • Scroll Saws          |
| • Dust Extractors      | • Table Saws           | • Wet Stone Grinders   |
| • Bench Grinders       | • Floor & Bench Drills | • Linishers            |
| • Thinknessers         | • Assorted Timbers     | • H.S.S. Turning Tools |
| • Lacquers & Finishers | • Carving Tools        | • Brass Ware           |
| • Clock Movements      | • Tiles                | • Cutlery Blanks       |

**PHONE (09) 314 2226**

Unit 2, 6 Harrison Street Willagee

MAIL ORDERS WELCOME

## ROTARY CHISEL

- THE CHISEL WITH THE EDGE -

- CUT GRIND SHAPE WOOD
- TUNGSTEN CARBIDE TEETH
- FAST SHAPING AND CUTTING
- OUTSTANDING FINISH
- SMOOTH AND PREDICTABLE
- GUARD ENSURES USER SAFETY

PH/FAX 097 91 1643  
P. O. BOX 1095 BUNBURY WA 6230

Margaret Spencer  
Rocking Horse Specialist



OLD EST. ENG. MFT.  
EXC. FULL SIZE PLANS •  
ALL ACCESSORIES

MANES • TAILS • GLASS EYES 5mm to 28mm  
• STIRRUPS • SADDLES • BRIDLES • ETC.  
SEND SAE TO THE AUSTRALIAN AGENT

TRADITIONAL ROCKING HORSES  
8 QUAY CT., SORRENTO 6020 W.A.  
PH: (09) 246 1645

## T-Gem Wood Lathes

Australian Made  
3 Std sizes or to order

10" x 30" bc	Live Centre, Camlocks
16" x 36" bc	Hollow Tailstock
18" x 48" bc	Indexing, No2 Morse

Barnwell Engineering Developments  
5/2, James Street, BAYSWATER,  
W. A. 6053 Ph or Fax (09) 272 8033