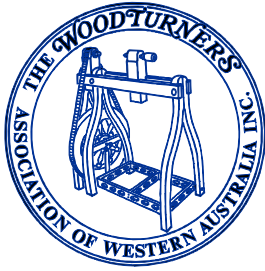


The Woodturners Association of Western Australia (Inc.)



ISSUE 132 OCTOBER - NOVEMBER 2007 NEWSLETTER



Charlie Broadbent at one of the Busselton Groups 'Skill Development' sessions showing potential new members the finer points of turning.

<u>COMMITTEE NAMES & NUMBERS</u>	<u>2</u>	A LETTER FROM BUSSELTON	10
<u>GROUP MEETING DAYS & TIMES</u>	<u>2</u>	GOSNELLS GOSSIP	11
<u>COMMITTEE NEWS</u>	<u>3</u>	A MEMO FROM MANDURAH	12
PRESIDENT'S FORUM	3	MANJIMUP MATTERS	12
DECEMBER CHRISTMAS MEETING	4	MELVILLE MUTTERINGS	13
CHRISTMAS TOYS	4	SWAN SNIPPETS	14
ELECTION OF OFFICE BEARERS 2007-2008	4	WANDI WAFFLES.....	15
EDITOR IN CHIEF.....	4	<u>BEREAVEMENTS</u>	<u>16</u>
VIDEO/DVD LIBRARY NEWS	5	RAY BOWRA (464).....	16
WOODTURNING COURSES 2008	5	<u>TRADING POST</u>	<u>16</u>
SWAM GROUP 20TH ANNIVERSARY EXHIBITION.....	5	WANTED - REPUTABLE BRAND LATHE.....	16
MEMBERSHIP REGISTRAR'S BIT	6	WANTED - SYMTEC LATHE.....	16
MEMBERSHIP FEES ARE NOW DUE.....	6	WANTED - BACK ISSUES OF WAWA MAGAZINES .	16
SCOUT MOVEMENT REMAINS STRONG	6	<u>TECHNICAL DESK</u>	<u>17</u>
<u>LETTERS TO THE EDITOR</u>	<u>7</u>	BOWL DESIGN - JOSEPH HEGNEY.....	17
WHAT DO YOU THINK?	7	<u>WEEKEND WORKSHOP AGENDAS</u>	<u>18</u>
LETTER TO BUSSELTON GROUP	8	AVON GROUP WEEKEND WORKSHOP	18
<u>COMPETITION NEWS</u>	<u>8</u>	BUNBURY GROUP WEEKEND WORKSHOP.....	19
COMPETITION ITEMS FOR 2007	8	<u>WHAT'S COMING UP NEXT???</u>	<u>20</u>
PROPOSED COMPETITION ITEMS FOR 2008	8	SPECIAL EVENTS.....	20
JULY COMPETITION RESULTS	9	WEEKEND WORKSHOPS	20
AUGUST COMPETITION RESULTS	9	SHOPPING CENTRE DISPLAYS	20
<u>NEWS FROM THE GROUPS</u>	<u>10</u>	WAWA WOODTURNING COURSES.....	16
BUNBURY BITES.....	10		



Committee

PRESIDENT

JIM STITFALL 9277 3132

SECRETARY

DORIS MARTIN 9330 3626
48 REDWOOD CRS MELVILLE W.A. 6156
. . . EMAIL: DODE.MARTIN@BIGPOND.COM

TREASURER

ROSS WILTON 9384 3160

VICE PRESIDENT

DEREK MARTIN 9330 3626

COMMITTEE MEMBERS

ALAN ANDREWS DEREK BEER
PHIL BERRILL CHARLIE MARS
ALAN ROBERTS KELVIN ROBINSON
CHRIS SMITH BILL YOUNGER

MEMBERSHIP REGISTRAR

KEVIN TREASURE 9529 3227
20 DUNDAS COURT, WAIKIKI W.A. 6169
. EMAIL: kevalb@iinet.net.au

VIDEO LIBRARIAN

DEREK MARTIN 9330 3626

LIBRARIAN

PHIL BERRILL 9574 2972

COMPETITION COORDINATOR

JOHN MASON 9537-6626
. EMAIL: jasmon@westnet.com.au

SHOPPING CENTRE DISPLAY

LEN NICHOLLS 9339 6490
NEIL PIPER 9496 3722
JIM McDONNELL (ROSTERS) 9294 3511

WEEKEND WORKSHOPS

JIM STITFALL 9277 3132
DEREK MARTIN 9330 3626

WOODTURNING COURSES

ALAN ROBERTS 9528 2520
. EMAIL: alba57@westnet.com.au

NEWSLETTER EDITOR

KELVIN ROBINSON MOB: 043 808 3388
. PH: 9439 1111
. FAX: 9419 3193
. EMAIL: kelvin.r@bigpond.net.au
8 COACHMAN COURT, WELLARD W.A. 6170



Meetings

ALBANY

Duyfken Boatshed, Princess Royal Dr, Albany
7:00pm 1st Mon 12:30pm Sat
Brian Davis 9844 7663

AVON VALLEY

Wool Pavilion Showground Toodyay
7:30pm 4th Mon 9:00am 2nd & 4th Sun
David Eyres 9574 2937

BUNBURY

Cathedral Grammar School, Gelorup
7:00pm 1st & 3rd Wed
Toni Wilson 9721 7618

BUSSELTON

Rear of Agricultural WA building
cnr Queen St & Marine Tce, Busselton.
7:00pm 2nd & 4th Wed, 10:00am - 4:00pm Sats
Tom Mazey 9754 1818

COLLIE

Various Home Workshops
9:15am - 4:00pm Last Sunday
Peter Hill 9734 2317

GOSNELLS

Huntingdale Community Hall, Holmes Street H/dale
8:30am - 12:30pm Wednesdays
Bill Grimditch

JOONDALUP/WANNEROO

Wanneroo H/S, Paltara Way, (Design & Tech Dept.)
7:00pm 2nd Wed
Tony Collins 9561 6887

MANDURAH

Baden Powell Hall
Cnr. Elizabeth & Anstruther Streets, Mandurah.
2:00pm 2nd & 4th Thursdays
John Mason 9537 6626

MANJIMUP

The Shed Timber Park
9:30am 2nd & 4th Wed
Yvonne Pegrum 9771 2737

MELVILLE

Melville Rec Centre, Cnr Stock Rd & Canning Hway
9:00am Wednesday (**excluding School Holidays**)
Ron Oliver 9330 5613

MUNDARING

Old Parkerville Primary School, Dura & Riley Rds,
Parkerville 7:00pm Friday
Brian Adams 9295 4486

SWAN

Gumnuts Family Centre,
Mudalla Way, Koongamia
7:00pm 2nd Tues 1:30pm 1st, 3rd & 4th Tues
Noel Moyes 9295 2281

WANDI

Wandi Community Hall, DeHaer Rd, Wandi
7:00pm 1st & 3rd Thursdays
8:00am - 12:00pm Wednesday (Hands On)
12:00pm - 4:00pm Wednesday (Ladies Group)

CLOSING DATE FOR EDITION 133 IS: SUNDAY 4TH NOVEMBER 2007

Committee News



President's Forum

This last year continues with the growth of WAWA, but also the continued loss and sadness of losing those near and dear to us. Though they are dearly missed, their memories live on.

Today is my last day as President of WAWA. I have served my 2 years, and it is now time to pass on the gavel. These last 2 years have had their difficulties, and fortunately there has been more ups than downs.

WAWA continues to retain a steady membership. This is mainly due to the efforts of both individuals and groups promoting the art of woodturning.

We are now promoting ourselves at more wide and varied venues and events. These range from shopping centres to gardening shows.

PROGRESS & ACHIEVEMENTS:

Association Ladies:

Thankyou for your support both behind the scenes, and in the catering of morning and afternoon teas. We thank you very much for adding that sparkle to the day.

Association Officers:

Thank you all for the work you do, and to those who have resigned, we thankyou for your many years of work for WAWA.

Committee of Management:

Thank you to the COM for their work over the past year. We achieved many goals with minimal support.

Thankyou Kay Marris, for your work as our Secretary for the pass two years. We all wish you the best for the future.

Thankyou Malcolm Munro. We thank you for your years of work in many positions in WAWA at group and COM.

Thankyou Ross Wilton. Your work as our Treasurer over the last 2 years has seen great leaps and bounds in our finances and equipment purchased. We are sorry that you have to stand down due to ill health.

For those of you that remain, and those who have re-nominated, thankyou for your input and support.

Groups:

I would like to thank all the groups for the wonderful work they do. Groups are only as strong as the members in them are.

Weekend Workshop Competition

Coordinator:

Thank you John Mason for your work this year and for your offer to continue. We all understand the pressures you have been under at times, but the number and standard of entries continue to grow.

Weekend Workshop Coordinators:

Thankyou to Derek Martin and Jim Stitfall for taking over the role of Weekend Workshop Coordinators. We wish you all the best.

Mandurah Woodturners Group:

Congratulation to the Mandurah Group in finally obtaining their own facilities. This will allow them to finally increase their meetings and hands on time. Room at last.

WAWA Shopping Centre Group:

Thankyou for your continued work throughout the year. Your promotion of woodturning and sales not only put a face to WAWA but also the practical art of woodturning.

The Hope Valley Primary School:

Thanks to Rod Cocks and the Wandi Progress Association, we now have a place for WAWA and other woodworking groups to meet and share our knowledge and skills. We have access to classrooms, workshops, and storage. Further facilities continue to be added.

Women's Group:

The women's group continues to meet at Wandi on a Wednesday afternoon. Membership continues to expand and so do their skills.

2007 Woodshow:

Thanks to Chris Smith, Alan Andrews and Ian Eagles for their work in organising the display. I would also like to thank the Gosnells Group for their assistance on the stands over the 3 days.

WAWA Sponsored Courses:

Through WAWA support and the endless work of Alan Roberts, we now have a dedicated programme for members and non-members. This has allowed people to learn from the beginners' level to the advanced.

WAWA would like to thank Gordon Ward, Robert Jones, and Jack De Vos for their tutoring.

A special thanks to Alan Roberts for his tireless work.

WAWA October Conference:

The COM, Group Executives, and Members are all invited to the WAWA Conference on Saturday 27 October 2007.

The theme of the day is "Where to from here. The

future of WAWA”

On ending, I wish to thank everyone who assisted me in my position as President. Without your help, we as an Association would not achieve what we have.

Also a very special thanks to those who support us and allow us to enjoy to art of woodturning. The silent majority keep us on track.

At the end of the day, the COM is here to put in place, those things that help the Association grow and prosper.

God bless you all and let us start planning for our future.

Tony Boschman

December Meeting *Saturday 8th. December 2007*

Air Force Memorial Estate,

Bullcreek Drive, Bullcreek

Time: 9.30am. To 3.30pm.

Please note change of venue from previous years.

Normal entrance fee for members still applies.

Lunch this year will be served at the table and the cost is \$20 per person. Due to the need to supply exact numbers to the caterers tickets must be purchased before 25th November.

Tickets will be available from Jim Stitfall or Derek Martin from the September meeting.

No tickets will be available on the day.

Ladies please note morning tea is provided

Your excellent service at all other times is greatly appreciated.

Please bring all your toys ready for their pick up.



Christmas Joys

Each year our Association donates many toys to worthwhile charities such as St. Vincent de Paul, Father Brian's Crisis Centre, Wesley Mission and

others. This year unfortunately due to the death of Ivy Pritchard there will be few if any soft toys. Therefore the need for our wooden toys will be greater than ever. Now is the time for all members to start thinking about what toys they can make. For those who are not sure what to make I have a few basic plans which I am happy to post out to members. I will be pleased if Convenors will arrange a few toy-making sessions in their clubs so that this year again we are able to make a substantial donation.

Completed toys should be brought to the Christmas Function in December.

You can contact me, Lach Christie 9246 2829 or by Email at laronde@arach.net.au

Kind Regards

Lach Christie

Election of Office Bearers *2007 - 2008*

DECLARATION OF POLL

At the close of Nominations for the Election of Office Bearers at both the 30 June 2007 and 31 August 2007 the following were elected.

President: Jim Stitfall.

Immediate Past -President: Tony Boschman.

Committee of Management: Phil Berrill (for a two-year term).

The following continue to hold office until the 2008 Annual General Meeting: Derek Martin, Alan Roberts, Kelvin Robinson, Chris Smith and Ross Wilton.

The present Constitution provides that the Committee of Management shall comprise of 'not less than eleven or more than twelve members'. Therefore, either three or four members will need to be elected at the forthcoming Annual General Meeting. However, should the proposed new Constitution be adopted then a minimum of two additional members will suffice.

The Association should be aware that from the date of the 2008 Annual General Meeting there is a danger of a loss of continuity on the Committee of Management. Phil Berrill is the only person currently elected to serve beyond that date. Jim Stitfall is eligible for re-election in 2008 and Tony Boschman remains immediate past President while Jim Stitfall holds office.

George Herring

Returning Officer - 1 September 2007



Editor in Chief

What's new??? We have produced our first 20 page magazine (that I know of). I have done this for a number of reasons, the Weekend Workshop pages were often difficult to fit into a single page and this now provides

sufficient space for groups to advertise and promote their weekends effectively. And I'm looking for more information to be included in each edition.

What's missing??? I can think of several items that should be included in each magazine, but to this stage have failed to attract any editorial. In the past we have had items about one of our members, does anyone want to take on the role of roving reporter and submit an article each edition? Is it possible

that the various groups might submit an article regarding one of their esteemed members?

When the unfortunate happens and one of our members passes away I think it's only right that they are recognised with an article about them and their association with WAWA. While it may be difficult to achieve this by the current deadline it should be considered for the next edition, particularly when some members don't find out about the passing until many months later or an unfortunate slip of the tongue is made.

Its your magazine please help to keep it lively and current. In saying this I would like to thank our regular contributors who send me their information for each edition.

I have also decided to change the front page, if you have a newsworthy photo that would make an interesting cover picture please email it to me and subject to printing suitability I will use it. Feel free to submit any hints, items or articles you would like included.

Regards

Helvin Robinson



Video/DVD Library News

Four new DVD's have been purchased for your enjoyment.

They are :- Turning Bowls, by Chris Stott

Miniatures; Popular Woodturning projects 1 and 2, by Reg Slack and Roy Sutton.

These will not be available as a video.

It is envisaged that as more people acquire DVD players the call for videos will diminish, so it is likely that any new titles will be DVD's.

If you see a title that you think should be in our collection, please make a note of the title, the presenter, and where it can be purchased and give this information to the librarian.

Further should a tape or disc have a fault please bring it to our attention so that it can be remedied.

Derek Martin

Woodturning Courses 2008



In the next month or so the course teachers and myself will be sitting down to discuss the programme for next years Turning Courses.

The courses run so far this year have proved popular but maybe there are some topics

not yet offered that might appeal to a wider cross-section of our members.

I often feel that perhaps more spindle turning classes might attract members who have not yet attended courses offered. If my feeling is accurate perhaps some of you might like to suggest a particular project to develop spindle turning skills!

But, please do not restrict your suggestions to spindle turning only, any constructive suggestion you have to improve our offerings will be considered.

As most of you would know by now the Free Tool Sharpening Courses offered earlier this year in the News Letter and also at two weekend workshops did not attract any nominations. Accordingly the offer was officially withdrawn at the Kalamunda weekend workshop.

The above notification formally acknowledges this decision.

Since then, two groups have sought to nominate, unfortunately the time has passed and we just cannot fit such a course into this years programme.

Perhaps if members are interested we could offer fee paying courses next year for individual members. Let me know, is there anyone out there that would be interested?

I look forward to hearing from you.

Yours in Turning

Alan Roberts

Swan Group

20th Anniversary Exhibition



Swan Group is putting on an exhibition of work in Midland to celebrate its 20th anniversary. The exhibition is the highlight of the Group's anniversary celebrations and will showcase some of its

finest work.

The venue, the Bank Gallery on Old Great Northern Highway, Midland, and financial assistance for staging the exhibition, is being provided by the City of Swan.

"We are very appreciative of the assistance we are getting from the City of Swan", Chris Allen, Convenor of Swan Group said. "We welcome the public and in particular WAWA members to the opening or to visit the exhibition during its run."

The exhibition opens on Thursday 8th November and runs until the 2nd of December. For further information on opening times see the Calendar of Events.

Chris Allen

Membership Registrar's Bit



NEW MEMBERS

The Annual Wood Show held recently at the Claremont Show Grounds attracted lots of interest and enquiries from the public. We are grateful for the interest shown and

welcome the new members, as listed below:

2246	Fred Flor	LESMURDIE
2247	Brad Ogden	WATTLE GROVE
2248	Jeff Otway	BYFORD
2249	Wayne Brouwer	THORNLIE
2250	Pete Rogers	BELLEVUE
2251	Graeme Skewes	PADBURY
2252	Sandy Bailey	MANDURAH
2253	Alf Rosenauer	BANJUP
2254	Peter Pickering	CANNING VALE
2255	Grant MacKinnon	BEDFORD
2256	John (Birdie) Birdsall	PINJARRA
2257	Clarke Schofield	PINJARRA
2258	Dawn Rogers	FALCON
2259	Les Davies	BUNBURY
2260	Rob McKimmie	GOSNELLS
2261	Neill Stewart	YANGEBUP
2262	Laurie Sutton	WILSON
2263	Geoff Quesnel	MULLALOO
2264	Doug Stewart	BEACONSFIELD, QLD
2265	Tom Hardy	MANDURAH

Membership fees are now due for 2007 / 2008

Membership fees were set at AGM the same as the last 2 years:

©Ordinary Membership \$45.00

©Junior Membership (Under 18) \$22.50

Fees are due before the 31st December 2007

PLEASE RENEW YOUR MEMBERSHIP NOW !

Please complete the lower portion of the form, detach it (or photocopy) and send in with your Cheque or Money Order to the Membership Treasurer.

If you wish to have a receipt sent to you, please enclose a stamped, self addressed envelope.

Cheques and Money Orders should be made payable to....W.A.W.A.

Cheers

Kev Treasure

Due to the fact that many members don't wish to cut their magazine I have devised a simple solution. You will have noticed that your magazine came with a coversheet which had your name and address on one side, the other side has your application form. For those who receive their magazine via email I will send a separate copy of the form in PDF format. ED.

Scout Movement Remains Strong



Scouting Centenary - Derek & Doris Martin say the movement has changed, but the basics

by FRANK SMITH

ONE hundred years after Robert Baden-Powell first took a group of 20 boys camping on Brownsea Island, Scouting is as strong as ever.

Derek Martin joined the Scouts in London in 1942, and met and married Doris.

Derek became a King's Scout and Doris a Queen's Guide - the movement's highest awards.

They came to WA in 1956 and were soon asked to take over the 143rd troop in West Perth.

Derek persuaded Doris to take over the Cubs, which she did for four years. She later became district Cubmaster.

A former chief Scout commissioner for WA, Derek said Scouting had changed over the years, but the basics remained the same.

"The Scout law is paramount, but it has been changed where needed," he said.

But it is still based on camping and learning to live off the land.

"In the early days, we loaded the trek cart up with camping gear, trundled it to the station and when we arrived we pushed it over a mile to the campsite," Derek said.

"Now it is less physical. Kids come to camp by car with gear on a trailer.

"The challenge in Scouting is important. If a boy

finds tying knots easy, we make it harder for him; if he finds it hard we make it a bit easier.

"Scouting exposes kids to progressively increasing leadership roles.

"In Cubs, the leader is in charge, with help from the sixers. In Scouts the emphasis is on the patrol leaders. The Venture Scouts are given more responsibility and the Rover Scouts are self-governing."

Scouting appeals to people of all races and religions. There are 28 million members in more than 200 countries.

The movement was banned in Nazi Germany and in the USSR, but it is now very active in both countries.

"Some older people are still involved in Scouting - not physically, but doing their bit supporting the movement," Derek said.

Derek was awarded an Order of Australia Medal in 1995 for his services to Scouting.

This article appeared in the Western Australian copy of the Senior Times, and I was given approval by them to reproduce the article for our members. This article gives us another insight into two of our members that we see at every Weekend Workshop but may know very little about. Who would have guessed we have an OAM within our midst. They are both very hard working members of WAWA, Doris has just taken on the role of Secretary!!! The recognition is well deserved. ED.

Sept Workshop and AGM

Now that the weekend is over I thought I might venture a few comments, all positive I hope.

Firstly it was pleasing to see the AGM pass so quickly without discord or angst.

I do wish how-ever, that there had been some nominations for the committee, new blood is always needed and many hands DO make light work. All committee members have a life outside of turning and we can only commit so much time to our duties.

Moving on, why no morning tea?

The answer is quite simple, I wanted to maximise the time that Dean Malcolm was with us, wasn't that what we all came for?

Not knowing how long the AGM was going to last, and believing the constitution debate could last a lot longer than it did the decision was made to cancel morning tea and bring lunch forward. It was my decision alone and I think it was the right one. Certainly the number of members who attended on both days supported that.

Last year we only had five guest members on the Sunday, this year for Dean Malcolm we had seventy eight.

Incidentally, the program was advertised

extensively all year.

From the comments I received, I believe the weekend was a wonderful success and the gamble we took certainly paid off.

As a result of YOUR support I shall be asking the Management Committee to subsidise the appearance of an Eastern States or Kiwi turner for next years September workshop.

I would also like the guest to offer one or two fee paying workshops.

I would like to take this opportunity to thank all those who helped in a variety of ways over the weekend. The Wandi members responded terrifically and we can always rely on that small but hardworking group of association members who are always there to lend a hand.

Thankyou also to the Donors who made the raffle such a huge success:

- ©Carba-Tec
- ©Missan Timbers
- ©Timbercon
- ©Powertools and Machinery Sales

WANDI MEMBERS:

David Austen, Keith and Julie Boaler, Sheila Carlile, Robert Jones, John Mercer, and Gordon Ward for their donations.

Thankyou,

Alan Roberts

Wandi Convenor

Letters To The Editor

What Do You Think?



As I am writing this, I am sitting in front of our camper, next to a clump of Pandanus palms at a beach near Broome. We (my wife Ursula and I) are travelling the Outback again – and we love it!

We are also already reading travel books and background history about Vietnam and Cambodia in preparation for our next trip in October.

But is this good for my woodturning? That's the question. I am in two minds about it. These long absences from the lathe are certainly not conducive to improving my tool skills, something I really need to do. I miss out on Weekend Workshops and I miss taking part in the competition, something I really enjoy, particularly when I take home a blue certificate. This year I missed the August Wood

Show again, I think it is the fourth time in a row. This is terrible!

On the other hand, during these long drives or sitting at the camp fire, there is plenty of time to think; think about woodturning of course. I can leisurely work out a design for one of my crazy projects and I usually make sketches for future reference. When I turn these things in my head, they always work. This is really fantastic. If I would do them in my workshop they would probably look bad, fly off the lathe or not work altogether. I am convinced there is really something to virtual woodturning; if nothing else the method is at least very fast and efficient.

Another interesting connection between travelling the outback and woodturning is that woodturning has changed my way of looking at nature. I am not talking about my interest in bird watching, observing native animals, whale watching etc. I am talking about shapes. When Jack deVos held his lecture about design at one of our Weekend Workshops and he pointed out that there were interesting shapes everywhere in nature, it really clicked with me. Now when I walk along the beach I have a better look at the ripples left by a receding tide and at all the shells, coral, and bits and pieces washed up by it. I look at them from a woodturner's angle and may one day be able to incorporate them in my projects. The same goes for shapes in rocks in the bush, for flowers, seeds and so on.

But where are the benefits of overseas travel for a wood turner? Whether we travel to big cities or small towns I always carry a little note book and a pencil stub in my pocket and I make notes and sketches of shapes other people have made; be they woodturners, potters, or sculptors, European, African or Asian. Art galleries and museums also are an endless source of inspiration as are markets and simple shops.

Even if I would never actually turn a project which came from one of these inspirations and observations it was good fun collecting them.

On balance I think travelling is well worthwhile, even for someone hooked on woodturning. - What do you think?

George Kieliger

" Hi Michael

I was in Busselton in Feb 2007 and picked up your cards when viewing your selection of woodturning

objects which were on display in the old courthouse (I think) - which I found most impressive. I was looking for your workshop but was unsuccessful. Anyway my name is Oliver McCabe - I'm from Ireland and was visiting my sister who lives in Australind. I have been in Busselton once before this in April '99 with my family - we thought it was a lovely place and hope to visit again someday. Please pass on my admiration of your work to both George Herring, Tom Mazey and Charles and Lalleen Broadbent also. I have been interested in woodturning for many years now - have bought a lathe but have yet to get the time to use it - someday perhaps.

Once again I must say you turn out lovely pieces and will visit again when in the Busselton/Margaret River areas.

Regards

Oliver McCabe"

Competition Items for 2007

- 20-21 Oct. Avon Group at Toodyay Clock... Mechanism and hands or an insert clock. Mounted in wood and in turn supported by wires, cords, fine chains or similar in a supporting frame. Size unlimited.
- 17-18 Nov. Bunbury Group Natural edged Bowl... Must have continuous natural edge on the rim or edge of the bowl. Size unlimited
- 8 Dec WAWA Committee at Bullcreek Best item turned in 2007 that has not been previously judged at an Association workshop

Proposed Competition Items for 2008

(Comments and/or Suggestions welcome)

- February . Desk Set - comprising of a Base with a turned Pen and two matching removable bowls (for paper clips etc) A pen trumpet is acceptable.
- March . . . Nut Cracking Bowl - featuring an anvil in the centre of the bowl and a matching mallet. Size unlimited.
- April. Salt and Pepper Mills - Novice, Pepper mill only. Matching Pair for Intermediate and Advanced. All (including Novice) to be exactly 200mm high excluding the mechanism knobs
- May Money Box - unlimited design and size.

Must have feature to remove the money. (and to put the money IN).

June. . . . Chisel Handles - A matching set of three handles on a presentation rack. They will be 200mm, 250mm, 300mm long and match in timber, shape and design

July Bowl...with a wide rim featuring Embellishment. Carving is excluded. Maximum dia 300mm Overall maximum height 80mm

August . . . At the Working With wood Show. Clock - Free standing mantle model with insert clock or mechanism.

September Cup and Saucer - Life size

October . . Pomander - To hold Pot Pourri. May be free standing or hanging. The lid (if used) may be a purchased pewter one or a wooden one of your own design. Size unlimited.

November. Bud vase - Matched pair. To have an exact height of 180mm.

December. Best Item turned in 2007 that has not been previously judged at an Association Workshop.

John Mason,

Competition Co-ordinator

Competition Results

Swan Group

July Weekend Workshop.

INSIDE OUT CANDLESTICK

This competition was well represented with 14 entries, three in Novice, six in Intermediate and five in Advanced. The variety of design of the entries was quite amazing and it was good to see that a lot of thought goes into these competitions. A bit disappointing to see only three in the Novice section and here I stress the importance of the competitions to match your item with others and be able to learn something from them which, in turn, will help to improve your turning.

My thanks to the judges, Phil Berrill, Milton Rundle and Ivor Bridges who did a wonderful job in a very tight competition.

John Mason

NOVICE:

1st	Bruce Jackson
2nd	Max Rutherford
3rd	Harold Worth

INTERMEDIATE

1st	George Kieliger
-----	------------------------

2nd	Maurie Munro
3rd	Buster Bailey
4th	Joe Clark

ADVANCED

1st	Chris Sioulas
2nd	Derek Pollard
3rd	Barry Robins
4th	John Mason

OPEN

1st	Chris Sioulas
2nd	Derek Pollard
3rd	George Kieliger
4th	Maurie Munro

POPULAR VOTE

1st	Chris Sioulas
2nd	Derek Pollard
3rd	Barry Robins
4th	Maurie Munro

August

Working With Wood Show.

WINE BOTTLE IN AN ICE BUCKET

Was it the venue? Was it the difficulty in getting to the Show? Was it the competition item?

Whatever the reason, the final result of entries can only be described as dismal. Only four entries!

One in Novice, two in Intermediate and one in Advanced. I am thinking that some of our regular entrants must be kicking themselves when seeing all of those competition points going to waste. Perhaps we can do it better next year. My thanks to the Judges, Viv Paust, Dan Killgallon and Jim Clarke.

John Mason

NOVICE:

1st	Bruce Jackson
-----	----------------------

INTERMEDIATE

1st	Buster Bailey
2nd	Maurie Munro

ADVANCED

1st	John Mason
-----	-------------------

OPEN

1st	Buster Bailey
2nd	Bruce Jackson
3rd	John Mason
4th	Maurie Munro

POPULAR VOTE

1st	Buster Bailey
2nd	Bruce Jackson
3rd	Maurie Munro
4th	John Mason

News from the Groups

Bunbury Bites



I wish to think David Daniel for his contribution of Bunbury Bulletin in the WAWA newsletter. I cannot hope to emulate his wonderful descriptive English but I shall follow the ice I always gave our children and that this just do your best.

adv

Bunbury Woodturners AGM was held on Wednesday the 15th of August. Toni Wilson is still Convenor with Mick Johnson and Tom Brixey as her deputies. Geoff Paynter is the Secretary and Dave Robert is Treasurer

Geoff Paynter gave us a talk and slide show on cave diving on the Australian Nullabor Plain. Geoff apparently does cave diving as light relief from his usual hazardous job of celebrity photographer.

After seeing Geoff's slides any hearing him talk, my feeling is that after you have learned to cave dive, you can become a fully qualified Chinese coal miner.

Our acquisition of a Vicmarc Lathe courtesy of WAWA, has been a boon to us. Allan Pearse, our maestro of metal has turned this lathe from a Bentley to a Rolls Royce. Any one wanting to mobilize their lathe should come to Bunbury woodies and view this mobile beauty.

On the 5th of September Hayden Matthews will demonstrate segmented turning, when well done, segmented turning is spectacular.

On the on the 13th Bunbury Woodturners will be at the Bull and Barrel festival in Dardenup. Anyone in the southwest who wants a good day out would find the ball Bull & Barrel just great.

See Pee



A Letter From Busselton

Our Group has a new team for 2007/2008, viz Tom Mazey in his second year as Convenor, Rob Mutch continuing as Secretary,

Gerry Doyle is the new Treasurer and Charlie Broadbent, George Herring and Paul Mundy making up Committee. Our sincere thanks to Dennis Haddon, Michael Whitehead and Ray Batt each of whom assisted in some way in the deliberations of the Group Committee during the 2006/2007-year.

WORKSHOP ACTIVITY – the first meeting for July was the Group competition night and unfortunately there was only one entry for the Inside/Outside Candlestick. As a result Michael Whitehead 'scooped' the pool. It was a great entry and a pity Michael was unable to compare his efforts with anyone else. On Wednesday 25 July Wes Peaker, a renowned Busselton cabinetmaker and TAFE lecturer, instructed us on how to set up, maintain and use the new bandsaw. 'Skew' Haddon ably assisted Wes by setting up the equipment and readying the materials and accessories.

On 8 August Ray Batt demonstrated how he would turn a Lidded Container for the September WAWA Competition. Ray is a fine demonstrator and included several variations on this particular theme for Competition. We are fortunate to have members like Ray who are glad to share their knowledge. The second Wednesday in August was our hands-on with a dried flower vase as the project with numbers down slightly due to the wild weather. David, an exchange school teacher from Canada at the Vasse primary School was visiting us and commented on the results achieved by each of the teams.



Bimonthly One-day Workshop – this part of our activities continues to be popular with the most recent one held in the Group Workshop on Saturday 25 August. We were fortunate to have Frank Evans from the Mandurah Group facilitate this session and we express our appreciation to him for presenting a first-class event. The project was a mantle clock designed by Frank. A

TIMBECON 10 John Street, BENTLEY
Tel: 9356 1653
www.timbecon.com.au
sales@timbecon.com.au

20% OFF!

20% OFF!

20% OFF!

IN-127 SHIP'S WHEEL NUT CRACKER \$31.90!

IN-125 LETTERPRESS NUT CRACKER \$23.90!

IN-1225 PACK OF 5 CORKSCREWS \$19.90!

PRICES VALID FROM 15TH OCTOBER UNTIL 10TH NOVEMBER 2007 OR WHILE STOCKS LAST!

sample of this item is shown. There were ten participants with Charlie Broadbent, Tom Mazey and Frank Evans as mentors to three of our beginners. This proved to be a great day with a high level of fun and fellowship with a number of visitors, local (including potential members) and tourists watching the process of producing the clock. With seven lathes needed for this event we thank Charlie Broadbent, Dennis Haddon, Vince Triglia and Michael Whitehead for the loan of their mini lathes.

Other Activities.....We will be participating in a number of Community activities in Busselton over the ensuing months... an expo being organised by the Busselton Senior Citizens in mid-September and an open-day with the Busselton Art Society in October. Any visitors to this region should contact Tom Mazey on 9754 1818 for details.



Charlie Broadbent at one of the Busselton Groups 'Skill Development' sessions showing potential new members the finer points of turning.

Our open-day concept each Saturday continues to be popular both with locals and visitors. These are held at our Workshops at the rear of the Old Agricultural Building on the corner of Queen Street and Marine Parade, and over recent weeks we have attracted a number of people who may become members in the near future.

The Skill Development initiative of Tom Mazey held on 'alternate' Wednesday evenings are picking up the pace with between eight and twelve members attending recently. The only impediment is that our Group just does not have enough lathes for everyone to solve their problems, improve their skills and take part in various workshops. We can safely put seven lathes in our workshop and the events organised by our Program Organiser heavily target the promotion of woodturning, not only to

CROSS ELECTRICAL SUPPLIES PTY LTD

WOODWORKING MACHINERY

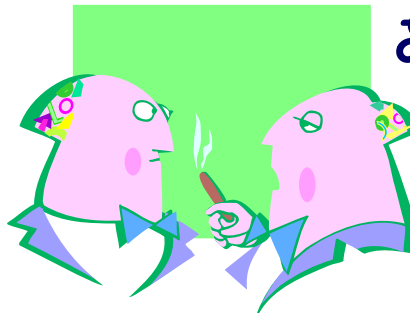
WOODLATHES ❖ SAW BENCHES ❖ BAND SAWS
BUZZER THICKNESSER ❖ HAND TOOLS
WOOD TURNING & CRAFT SUPPLIES

(08) 9721 5544

88 BLAIR STREET, BUNBURY WA 6230

our members but the population in general. Perhaps some of the Committee of Management could pay us a visit to see how they can assist us.

"Scriba"



Gosnells Gossip

Well I have just returned from a trip and so have missed out on a lot of the clubs activities, but with the new committee and yes I did volunteer while I

was away, I can see a lot of changes have been implemented.

The success of this can be seen with the results of the weekend workshop. Well done to everybody, keep it up!

Our Thursday evening meetings are working, catering for those who have to work during the day, all our lathes are kept busy.

We have had some good demonstrations, our own member Chris Soulas gave us the method to make a piston type tooth pick holder, he makes it look easy and is very quick and needs little sanding.

Another good thing is his use of jam chucks and masking tape to adjust the size, a good and effective way of holding finished pieces with no damage.

We would like to thank Ivor Bridges and his wife for coming to our evening meeting to show us his jigs and sharpening methods, I am sure everybody came away with some good ideas to use in their own shed.

How about making Brad point drills from steel drills, when you see him ask, it is so easy, even to sharpen your old drills, it can be used for plain

CARBA-TEC

TOOLS FOR WOOD

151 Balcatta Road, Balcatta.
Ph 9345 4522. Fax 9240 1014.
www.carbatecwa.com.au

Specials marked with a starburst are for WAWA members only. Show your WAWA card to get the special price. Prices valid until June 30th 2007. E&OE.

BOWL SANDING PADS

Flexible tapered rubber sanding pads with arbor plus hook and loop surface.
50mm. Was \$11.90. **On Sale \$5.**
75mm. Was \$14.90. **On Sale \$6.**



SHELLAWAX CREAM

Non-toxic food safe friction polish. Dries instantly. 300ml.
Was \$28. **On Sale \$24.**



SHELLAWAX FRICTION POLISH

One application high gloss friction polish. Made in Australia. 500ml.
Was \$36. **On Sale \$30.**



CLEARANCE: HIGH SPEED STEEL WOODTURNING CHISELS

Quality H.S.S. with ash handles.
16mm Bowl Gouge. Was \$42. **On Sale \$30.**
25mm Oval Skew. Was \$30. **On Sale \$21.**
5mm Parting Tool. Was \$28. **On Sale \$20.**
25mm Roughing Gouges. Was \$30. **Limited stock \$21.**



1MT SPUR DRIVES

For Record & mini lathes.



PANEL OFFCUTS CLEARANCE

Generous sizes in MDF, plywood, veneered MDF and more. Ideal for cupboard doors, shelving, furniture, craftware, face plates, anything you can think of. Prices as marked from \$1 - \$4 per piece.

steel drills as well for those that have trouble sharpening them. Thanks again Ivor!

We have an end of month barbie each month which is well attended, any member passing is welcome to drop in.

Sorry I missed last months Gossip I try not to let it happen again!

Alan Andrews.

A Memo From Mandurah

As you may have noticed, the writing of this missive "Memo from Mandurah" is shared by Barry Granger and myself, in turn. Supposedly! In the last issue, I tend to think we both panicked thinking we were late for the deadline and finished up with Part 1 and Part 2. Good thinking Kelvin.

However, this time around I got an e-mail from Barry suggesting that I do this one as I "have the time" while recuperating from an emergency appendectomy. This started at 2am on a Sunday morning and I was home on the following Tuesday and have been a couch potato since. I cannot speak highly enough of the staff at the Peel Health Campus who made my stay there almost enjoyable, except when they forgot to remove the "starvation diet" sign above my bed !!

We are still in the process of settling in at the Scout Hall. Decisions yet to be made about meeting times and the prospect of night time meetings. This aspect is something we have never been able to consider before and we could be looking at a Thursday night teaching class which should help to increase our membership. This night meeting will be run from about September to April to avoid the cold winter nights.

There are some busy times coming up starting with our AGM on August 28th. Most positions will be available to be filled as the Convenor, Secretary and Treasurer will not be running again this year plus some of the committee. T'will be interesting.

Then there is a planned Open Day to publicise our new situation in the Scout Hall, the Pinjarra Fair in November and of course, our End of Year celebrations and awards night. Last year, we held our Awards night at the Silver Sands Hotel, but as of this year they are no longer doing group dinners. So once again we are on the search for a suitable and affordable venue.

We will also be working with the Scouts when they have their Jamboree at Jarrahdale and that should be a very interesting outing.

A couple of weeks ago, a number of our members attended a Wandi meeting and we had a most enjoyable morning with the Wandi members. Thank you Alan, for the invitation. It will be reciprocated in the not too distant future.

So, busy and active times ahead as well as our ongoing demonstrations at the group meetings, competition items to be finished and with only one miss, the Mondays here at my place continue as always.

Regards to all

John Mason

Manjimup Matters



Manjimup Group recently held their AGM, resulting in a changeover of committee members. The new management group is:

Convenor - Noel Gersbach
Deputy Convenor - Dave Butler
Treasurer - Bert Piggott

Secretary - Yvonne Pegrum
Equipment Officer - Harold Worth

Safety Officer - Joe Spaeth

Toni Wilson and Bob Sparrow from the Bunbury Group came down to the Long Shed in early August and conducted a workshop for members on the "balancing clock". The day was a great success, and members were very appreciative of the work put into the day by the 2 visitors. Newer members in particular benefited greatly from the experience. A BBQ lunch rounded the day off nicely.

Attendance has been reasonably steady, although the flu seems to have taken its toll on members over the past month or so. Ron Greenhow will be out of commission for a while, having just had surgery on a "dodgy" shoulder, but that hasn't stopped Ron from coming down and helping out where possible. Unfortunately, when he gets over that, he has to front up for knee surgery. We wish him all the best for a complete recovery.

The group has received an invitation to demonstrate at the October Farmer's Market, to be held on the 20th. This venue is always fun to do and members are urged to get involved. The next public outing will probably be the Cherry Festival, to be held on the 8th December. Our participation in this will differ from recent years due to a suitable site for demonstrations no longer being available.

Visitors to the Timber Park and Long Shed have increased slightly in recent weeks, and hopefully this will improve even more when the weather picks up.

Traditionally more visitors turn up when the wildflowers are in full bloom.

Members from other groups are always welcome.

Yvonne Pegrum



Melville Mutterings

Attendance at our Wednesday morning Workshops is slowly increasing as those who chase the sun return and

thanks to some new members who we hope will soon be able to increase our pool of demonstrators.

Our program for this period was as follows:-

4th July - Les Coleman showed us how he turns some recycled jarrah into coasters with an olive insert as decoration. This was Les's second attempt at

POWER TOOLS AND MACHINERY SALES
COME AND SEE US FOR THE BEST STOCK OF
WOODTURNING TOOLS & MACHINES

JET

Nova Chucks & Accessories

P&N Chisels

18 BEECHBORG ROAD
BAYSWATER W.A. 6155
PH: 92725544 FAX: 92721988

UNIT 1/61 ALBERT ROAD
BUNBURY W.A. 6230
PH: 97914033 FAX: 97914037

demonstrating and it was a more than commendable effort - and the coasters were very nice too.

11th July - Joe Hegney gave one of his usual well prepared and instructive demo's on tool sharpening I've seen Joe on this subject many times but you always get something from his demo's because of the way he draws the audience into the subject by eliciting questions and comments.

18th July - We heard a most interesting talk from Graeme Siemon who with Ian Kealley co-authored the Goldfields Timber Research Report. In his talk Graeme discussed the structure of wood and this lead into a subject close to the heart of all woodturners - the drying of wood. Graeme stressed the importance of the proper milling and Storage of wood in air drying and canvassed the possibilities of microwaving and freezing with us. Many thanks Graeme for a most interesting talk.

25th July - Our monthly business meeting was followed by Neil Piper who gave a presentation on finishing his way. Neil stressed that the finishing of the raw wood to the highest standards was vital to obtaining a good finish regardless of what finish you were putting on the wood in Neil's case the final finish is lacquer. He outlined his sanding procedure which sometimes entailed sanding the raw wood then applying shellac leaving it at that stage for 24 hours before completing the process. He outlined how he dealt with cracks or faults in the wood and advocated the use of Watty woodstop for cracks (rosewood he felt was best for Jarrah). He also recommended the use of power sanding discs for bowls and hand sanding with the grain of spindle work. Neil's finishing procedures are comprehensive and this is only a very brief outline of the advice he gave in his talk and showed his attention to detail in obtaining the fine finish he gives to his work.

1st August - Alan Smith demonstrated inside outside turning using a cage to hold the wood instead of paper joints. As usual Alan explained very clearly what was going on unfortunately the wood he was using was not the best and resulted in Alan not being able to complete the project nevertheless we all got some idea

WOODTURNING PROJECT PARTS

The B-Y in
project parts from
Box, Clock, Cutlery to
Spinning tops and Yoyo.

Telephone 9330 8383

MAYAMA GEMS
2/49 McCOY ST
MYAREE 6154

of the process.

8th August – It was my turn to demonstrate how to turn a lidded box and it was only when I started the job did I realize that it was sometime since I had turned one. However we muddled through within the time allowed and if nothing else

everybody learned that when you are jam fitting the lid to the base to shape it make sure that you don't make it too tight or you will have difficulty getting it off.

15th August – This was a case of all hands on deck to help completing toys roughed out by the more industrious members of the group – I won't list them by name we all know who they are- and who had been very busy. I think some progress was made and our contribution will hopefully be as good as last year.

22nd August- Our annual meeting was held and unfortunately I was not there absent in the frozen East(Melbourne) but I am pleased to report we have a new Convenor Geoff Saw who I am sure will enjoy the job.

29th August – Again I was absent (blame the cold contracted in the aforementioned) but my spies tell me that Bernie Dixon showed how to make a very nice cake stand base and top of sheoak separated by a stem of banksia nut. Bernie included in his demo his technique of turning a foot on his blank by holding the wood between a flat wooden faceplate faced with sponge rubber and the live centre in his tailstock. A simple but safe method.

Don Gunn

Swan Snippets

The past two months have been exceptionally busy for Swan, with the July Weekend Workshop and preparations for the club's 20th Anniversary exhibition in November.

Mean while, weekly meetings have continued, with a good turn out.

Evening Meetings:

At the July meeting Alan Fettes demonstrated hollow turning, using a piece of jarrah that Cliff Cross was going to throw out. (Since when did woodturners throw anything away?) After turning the blank into the desired shape and drilling to the

final inside depth, Alan widened the hole with a spindle gouge, then proceeded to do the final hollowing with a hollowing tool. He remounted a part-finished piece to demonstrate the finishing touches to the top and outside. The demo was at Alan's high standard, and made a hard task look easy. Only three members entered the competition – Jim Hanney, Joe Clark and David Devereux. The show and tell produced more inside out turning, all failures, proving that quite a few had a go. With Eric Walker away in Yorkshire, the raffle was easy to win this month. Bob Nichols took out the prize.

August is that time of the year again – the AGM. In spite of that, we had a good crowd, with Max Synon from Melbourne on his second visit. Convenor, Noel Moyes demonstrated a lidded box, using a nice piece of sheoak which he had scrounged off Joe Clark. (I would not have parted with it) Noel turned the lid first, then fitted it in place, gave the bottom some shape and did some hollowing of the inside before rechucking it to shape the bottom, keeping a spigot on so he could rechunk at home to finish off. A great demo, Noel.

The rest of the evening was taken up with the AGM. It took about 10 minutes to elect the new committee – the same members re-elected, with Noel on committee after two years as convenor. I got the hot seat this year. The raffle was won by Tom Wainwright.

Afternoon meetings:

Is he a top turner or a turner of tops? That was the question. Malcolm Munro entertained us with a variety of top turning, from the finger twist, to a top you start with an electric drill. Only Malcolm could think of something like that. He finished his day during show and tell, offering three toy cars, one of which he threw against the wall to demonstrate its toughness. Ouch!

Keith Devereux demonstrated his talent in lace bobbin making, producing a range of shapes. He passed around his tool rest: a square that was made of round steel that he could get his hand under to support the timber. A very interesting demonstration especially for those of us who have not tried making bobbins. Gavin Wenham, a visitor from Sydney, brought along his pepper and salt grinders for show and tell - an unusual shape, and well worth a try.



Gavin's grinders

Gavin's grinders

We had a demonstration with a difference at our last July afternoon meeting. Noel Moyes

brought along a copy attachment for his new jet lathe, which he set up on the club lathe. Its suitability on different timbers generated a lot of discussion. Bob Nichols brought in another toothpick holder for show and tell, and Don Clarke showed articles finished with the free sample of water based lacquer he had applied with a brush.

The video equipment was used for the first time at the August 7th afternoon meeting with great success. Barry Leivers set it up for his demonstration, where he showed how to make a salt and pepper stand, a great feat for an afternoon meeting. Barry used jarrah which makes quite a mess, but turned out very well. Another excellent demonstration. This week we had another yearly visit from Max Synon of Melbourne.



Barry Leivers at the lathe, and on camera

Bob Napthine demonstrated salt and pepper shakers at our next meeting, his second time behind the lathe on a Tuesday afternoon. This time we got the whole demo on film. Bob's adaptations of method and tools to overcome his sight disability are inspiring. Well done again, Bob.

Our final afternoon demonstrator was Kingsley Richards. He showed how he prepares laminated timber for making pens. Kingsley cuts strips of different coloured timber, which he then glues into a block and places in a jig with the strips set at an angle, allowing 24 hours to dry. Kingsley demonstrated cutting pen blanks on the diagonal, then turning into very interesting striped pens.

Weekend Workshop:

A good crowd attended Swan's Weekend Workshop at Kalamunda in July. It was cold and wet outside, but inside a warm welcome was given to the first presenters, Ron Manley and Barry Judd from Becker Accroma Twentytwo Service. They discussed and promoted their low toxic water based lacquers and mineral based lacquers. The presentation was well received and so were their free samples.

The morning demonstration by Graham Lewis featured a lidded box. The afternoon demos by Joe Clark, a toothpick holder, using a screw chuck (a favourite of his), and Bob Nichols' knife blades were

both interesting and entertaining.

The competition, a candlestick featuring inside-outside turning, produced a good number of entries in all divisions. Congratulations to all.

Congratulations also to Geoff Barkla, who was presented with a card signed by members to mark his 90th birthday. Jim McDonnell gave a great speech and wished him well on our behalf.

A display table of pieces by Swan group provided added interest for visitors, and the raffle was well supported. Special thanks to all who helped on the day and contributed to the smooth running of the workshop, in particular, the ladies for providing, preparing and serving morning tea, lunch and afternoon tea.

Preparations for the 20th Anniversary exhibition in November are well under way, thanks to the hard work of organiser, Richard Barkman. We are looking forward to a great display of our group's talents. Well worth a look (see article in this issue).

Chris and Judith Allen



Wandi Waffles

JULY CLUB NIGHTS

July saw the club being entertained by a couple of 'outsiders' who expertly enchanted those who attended with their i m m e a s u r a b l e

knowledge. Brian was

introduced as a stalwart committee member, a driving, energetic force for the woodturning club. We were not to be disappointed, his robust, clever employment of his tools were demonstrated beautifully. The texturing tool used added wonderful character to his wine bottle coaster holder. Lining the base with cork from Portugal provided that extra touch of class. Brian complimented this item with swift magical turning of a classical bottle top.

Our next guest connoisseur, Graham Lewis, came supplied with his entourage of well sharpened tools, and captivated us with his talent, as he masterfully created a natural edged bowl from the wood of an apple tree. Using a cone centre, one of Graham's treasured gadgets, as it prevents 'dig ins', he used a roughing gouge, stating, "I get less problems with tearing and furring of the edges", to shape the bottom of the bowl. He then created the lip and internal shape of the bowl taking care when turning 'half in shadow'. His emphasis on sharp tools and light incisions, together with going through the 'grits' methodically to get that perfect finish, reverberated in the still night. He also mentioned it was advisable to keep some weight in the base of the bowl for stability.

Our thanks go to both guest appearances. Their enthusiasm and their talent were very infectious; I

know some of the Wandie members have since dabbled in making a natural edged bowl themselves on the Wednesday mornings with great success.

AUGUST CLUB NIGHTS

A throng of members were mesmerized by the energetic competence of the supreme Jack deVos as he conscientiously created a lidded bowl....with insert. Providing wonderful commentary on the task at hand, Jack adroitly applied his artistic touch as he created a very pleasing curve to the external features. Using a parting tool, widening the cut slightly to prevent the tool catching, the wood which was to become the lid was removed carefully. With shavings flowing continuously, the internal diameter was completed, and work commenced on the lid. With a blink of an eyelid, this too was crafted splendidly. The item was to become a gift for one of his grandchildren. I think I might need to be adopted by his family!!!!

Our well travelled guest from Bunbury, Toni Wilson, was well supported by her mother and a couple of friends from her group, as she revealed another use for the iron... melting glue. A debate ensued on which glue stick was the best for safety and 'glue-ability' factor, the resounding result was the 'yellow' glue stick. Toni's intriguing demonstration involved creating 'cheap' chucks from scrap pieces of aluminum. Discussion on the 'project' continued during the Wednesday morning group the following week, such was the interest.

'Show and tell' has been somewhat spartan during the past few club nights. The most outstanding pieces of work displayed were Chris Gray's delicate 'twisty' goblets, with the stems meticulously hand carved. His masterful intricate bowl with inlaid design also showed off his individual flamboyant talent.

WEDNESDAY WOMEN'S GROUP

With Alan's wonderful guidance and demonstrating, the ladies undertook the mission of producing a wooden jig, using this as the foundation for creating bottle stops. Many exquisite designs, fitting for any excellent drop of wine were created.

Other pieces are well under way. Cindy is crafting a gorgeous hollow vase, and learning how to use the deep hollowing tool. Sheila has started making some 'magic mushrooms' out of a variety of woods as well as some cute potpourri containers from banksia cones. Kasha has completed her imposing pepper grinder.

Our thanks go to Kelvin who kindly helped Marie in overseeing proceedings on a couple of Wednesdays during Alan's absence. We also welcome two new arrivals, Dawn and Sandy to the group.

Daphne

Bereavements

Ray Bowra

Audrey, Gayle, Glenn, Ken & Families wish to thank our many friends for their support, cards, telephone calls & attendance at Ray's funeral.

We sincerely thank you all.

I know and apologise for any missing items in this column. Perhaps those who know more than I can provide information for the next edition. ED.

WANTED

Symtec lathe, preferably 1500mm bed; for a school. Contact; Jim Wilson 9581 7180

WANTED

Back issues of WAWA Newsletters from number 1 to 59. If you have or know of anyone with back issues they do not require, please contact me.

Kev Treasure (2012) Phone 9529 3227
Membership Registrar



To list any items you would like to sell to other members simply email kelvin.r@bigpond.net.au with a description of the item, price, your name and membership number along with relevant contact details.

WANTED

Reputable brand lathe, to \$2000 approx.

Phone Alastair 95821080 (Alastair Cuthbert, 1975)

Technical Desk

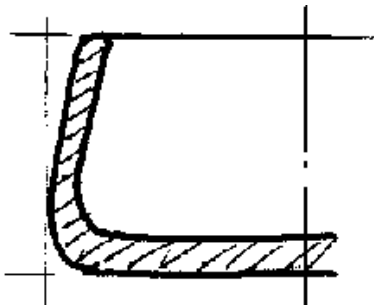
JOSEPH P. HEGNEY



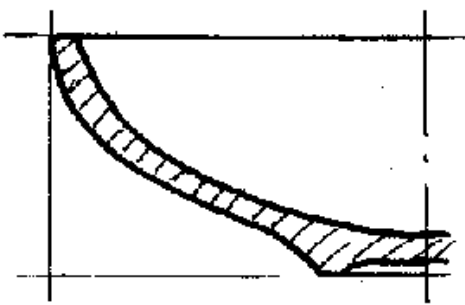
Bowl Design

Bowl Design is one of those aspect of Woodturning, that ensures much discussion and options. A broad subject that cannot be dealt with in one article – but a start must be made somewhere. A series of articles may follow.

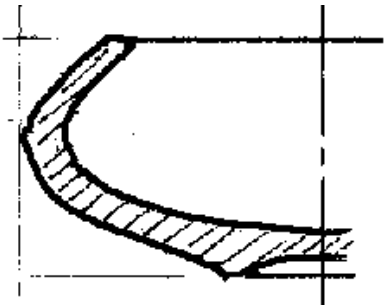
THREE MAIN CATEGORIES OF BOWLS



CYLINDRICAL
OR UNIVERSAL VESSEL

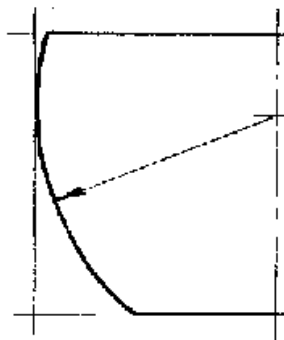


OPEN VESSEL
TO DISPLAY CONTENTS

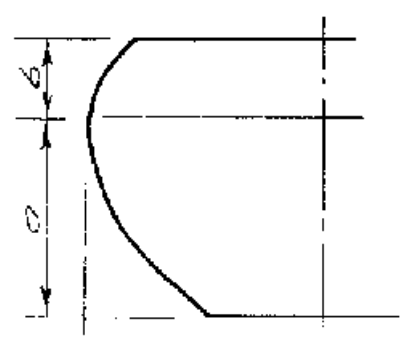


CLOSED VESSEL
MAIN PURPOSE IS TO CONTAIN

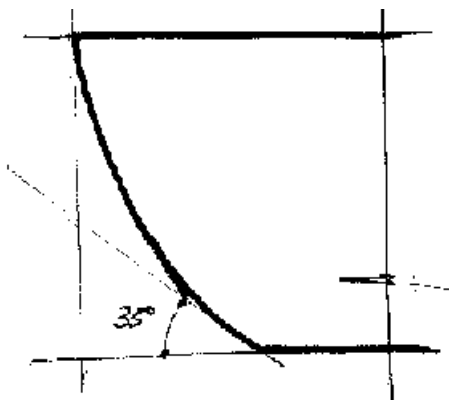
The next step may be to consider whether we require a Symmetric or Asymmetric profile.



SYMMETRIC
SAME CURVE ALL THE WAY



ASYMMETRIC
NOT THE SAME CURVE.
DETERMINE THE BEST
PROPORTION FOR A & B



As a General Rule:

The base should set off at an

angle not less than 35 degrees from the base. !!

Test with a number of different angles

Such a statement may generate much discussion

Good

(Next - a Bowl base on a circle with the diameter in same proportion to the height as the base is to the height.)

AVON GROUP WEEKEND WORKSHOP

SATURDAY 20TH - SUNDAY 21ST
OCTOBER 2007

**TOODYAY MEMORIAL HALL,
STIRLING TCE, TOODYAY**

Convenor: David Eyres
Master of Ceremonies: TBA
Host(s): Avon Group

Competition Item

Clock - Mechanism and hands or an insert clock. Mounted in wood and in turn supported by wires, cords, fine chains or similar in a supporting frame. Size unlimited.

SATURDAY PROGRAMME

8:00am . . Set up & Registration
9:00am . . Welcome & announcements
9:15am . . Christmas Decorations By J Hanney
10:15am . Morning Tea
10:45. . . Inside Out Turning By Joe Hegney
12:00. . . Lunch: Hamburger And Bun Or Soup
And Bun Each With A Piece Of Fruit.
\$5.00
1:00pm . . President's Forum
1:15pm . . OFFCENTRE TURNING BOB
NICHOLS
2:15pm . . TBA
3:00pm . . Afternoon Tea
3:30pm . . Competition Results And Show And
Tell
4:15pm . . Pack Up - All Hands To Help Please

NB: If a demo can be found we could slip it in at 4:15 with packup at the usual time of 5:00pm

EVENING FREE

SUNDAY PROGRAMME

9:00am . . Workshop At Avon Groups Clubrooms
At Toodyay Show Grounds
Please Bring Your Tools And Any
Special Jigs Or Attachments And
Show Us How They Are Used.
12:00pm . Lunch Sausage Sizzle And Salad

Accommodation



MOONDYNE CARAVAN PARK
(about 2.5kms from town) 95742534

TOODYAY CARAVAN PARK
(about 1k from town) 95742612

FREEMASONS HOTEL MOTEL
95742201

VICTORIA HOTEL MOTEL
95742206

AVALON HOMESTEAD B&B
(about 4 kms from town) 95745050

BLACK WATTLE RETREAT B&B
(16kms north of town) 95744086

PEACAN HILL B&B
about 4kms from town 95742636

Enquiries can also be made thru Toodyay Visitors
Centre 95742435

BUNBURY GROUP

WEEKEND WORKSHOP

SATURDAY 17TH - SUNDAY 18TH
NOVEMBER 2007

**BUNBURY SOCCER DROME,
BUNBURY**

Convenor: Toni Wilson
Master of Ceremonies: Toni Wilson
Host(s): Bunbury Group
Safety Officer Jim Cunniffe
Trade Supplier. ToolMart Bunbury

Competition Item

Hollow Turned Item. - The top opening shall be smaller than the internal diameter, the height greater than the width & hollowed only through the top. Goodluck.

SATURDAY PROGRAMME

8:00am . . Set up - All hands Welcome
8:45am . . Registration & Fellowship - Tea & Coffee for the weary travellers.
9:00am . . Welcome and Announcements.
9:15am . . John Shinnick Memorial Presentation by Milton Rundle
10:00am . . Morning Tea – Members please bring a plate of goodies.
10:30am . . Viv Paust – Wood/Wire/Epoxy Resin
11:15am . . Dust Prevention & Protection
12:00pm . . Lunch – \$4.00 – Meat & Salad Roll & Fresh Fruit.
1:00pm . . Brian Launa – The Woodturner / The Hat Man
1:20pm . . President's Forum
1:40pm . . John Mason – Favorite Bowl Chuck Jaws Gadget
2:00pm . . Rob Jones – Wood/Paint/Pyography
3:00pm . . Afternoon Tea
3:30pm . . Jim Cunniff – Spinning Top – Wood/Metal/Plastic
4:15pm . . Competition results - Show and Tell
5:00pm . . All hands to help clean up please.

ADDITIONAL DEMONSTRATIONS

Ivor Bridges – Will be showing Easy Sharpening on a Jig & Laurie Green will be bringing the Sharpening Jigs to sell.

LADIES BUS TRIP

\$3.00 per head – 1pm - Visit to Peppi Pottery / Glass & The Forgery

Busselton Group will be selling Sheoak & Jarrah

SATURDAY EVENING

7:00pm . . Please Join Us For Dinner At The Soccer Drome.
\$25 Per Head - Four Course Meal – Excellent Value
Entertainment - Phill Mann
“Specialized Hobbyist Gardening & Slide Show”

SUNDAY PROGRAMME

Mystery Bus/Car Convoy Trip!

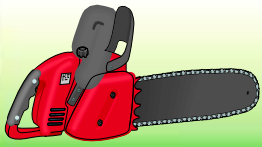
As the price of hiring a large bus has tripled we only have the small bus this year. So rather than cancel the trip we are going to have a convoy of cars.

Places on the small bus will be limited but we would love you to join us in your own cars. This will reduce the cost for the people driving. As yet the price is unknown but as per usual it will be Good Value Great Fun & Wonderful Fellowship.

Morning Tea – Tea & Coffee Supplied. Please bring something to share.

Lunch and Afternoon Tea Supplied. Drinks \$1.00 a can.

Limited Numbers. Please ring Toni Wilson to register on 97217618 ASAP.



Calendar of Events

SPECIAL EVENTS

20TH ANNIVERSARY EXHIBITION OF THE SWAN GROUP

When: . . 6pm – 9pm Thursday 8th November
Friday – 9th November through to
Sunday 2nd December

Gallery opening hours

. Thursday 10am – 8pm
Friday & Saturday 10am – 4pm
Sunday 9am-3pm

Where: . . The Bank Gallery
2 Old Great Northern Highway, Midland

WEEKEND WORKSHOPS

AVON GROUP WEEKEND WORKSHOP

When: . . 20th-21st October 2007
Where: . . Toodyay

BUNBURY GROUP WEEKEND WORKSHOP

When: . . 17th-18th November 2007
Where: . . Bunbury

WAWA COMMITTEE CHRISTMAS WEEKEND WORKSHOP

When: . . 8th December 2007
Where: . . Air Force Memorial Estate, Bullcreek Drive,
Bullcreek.
Time: . . . 9.30am. To 3.30pm.

Please note change of venue from previous years. Normal entrance fee for members still applies.

Lunch this year will be served at the table and the cost is \$20 per person. Due to the need to supply exact numbers to the caterers tickets must be purchased before 25th November.

Tickets will be available from Jim Stitfall or Derek Martin from the September meeting.

No tickets will be available on the day.

**Ladies please note morning tea is provided
Your excellent service at all other times is greatly appreciated.**

Please bring all your toys ready for their pick up.

SHOPPING CENTRE DISPLAYS

MELVILLE PLAZA SHOPPING CENTRE

When: . . Tuesday 2nd Oct - Saturday 6th Oct
Where: . . Canning H/way, Bicton

CENTREPOINT SHOPPING CENTRE

When: . . Monday 26th Nov - Friday 30th Nov
Victoria Street, Midland

SOUTHLANDS SHOPPING CENTRE

When: . . Monday 29th Oct - Saturday 3rd Nov
Where: Burrendah Boulevard, Willetton

WOODTURNING COURSES

INTERMEDIATE COURSE

When . . . Saturday 20th October 2007
Tutor: . . Gordon Ward
Subject: . Small Table Lamp

BEYOND ADVANCED

When . . . Friday 2nd November
Tutor . . . Jack de Vos
Subject: . Turn & Carve A Seedpod

BEYOND ADVANCED

When . . . Saturday 3rd November
Tutor: . . Gordon Ward
Subject: . Turn and Carve a Goblet

BEYOND ADVANCED

When: . . Sunday 4th November
Tutor: . . Robert Jones
Subject: . Turn and Embellish your choice of 2 Bowls

INTERMEDIATE COURSE

When: . . Saturday 10th November 2007
Tutor: . . Robert Jones
Subject: . Large Platter with Embellished Edge

All WAWA Sponsored Courses, unless otherwise advertised are conducted at Wandi's Clubrooms, Lot 33 DeHaer Rd, Wandi

Contact Alan Roberts on 9528-2520 or by Email at alba57@westnet.com.au for further information & Bookings