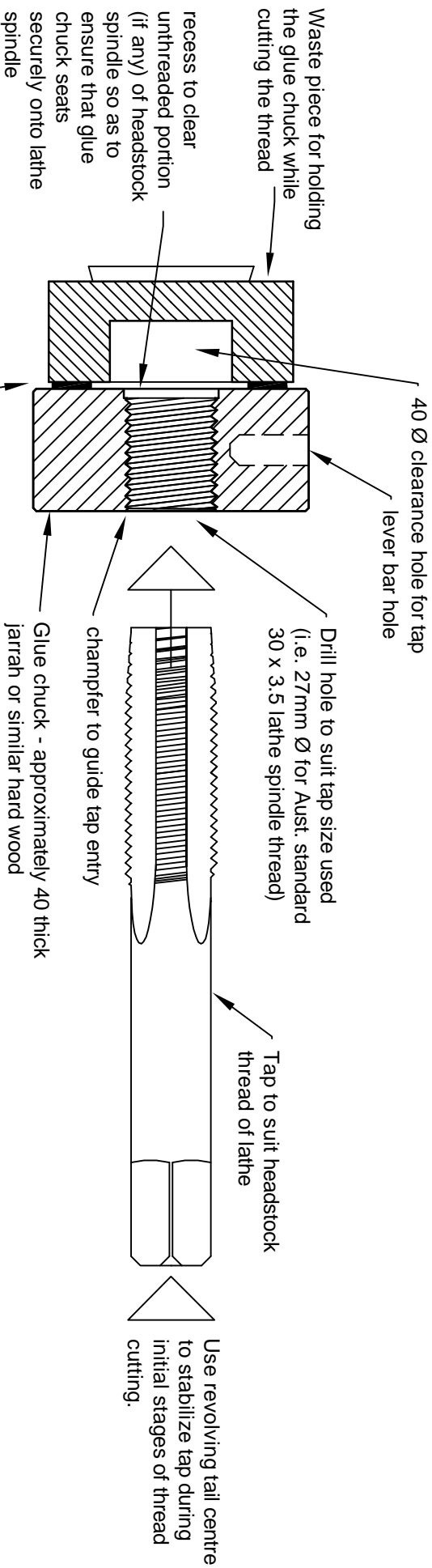
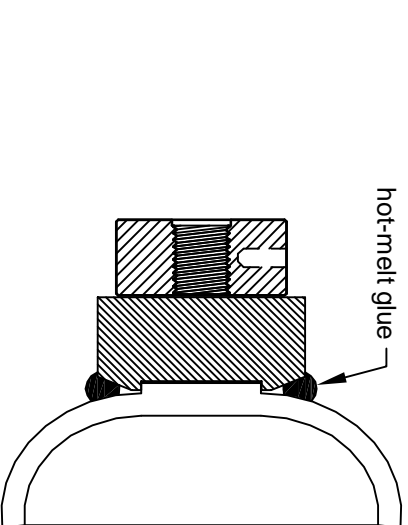


MAKING A THREADED GLUE CHUCK



A glue chuck being tapped by Ted Stewart-Wynne. Ted is using a chuck mounted on the lathe tail-stock to hold the threading tap.



A glue chuck with a sacrificial scrap block adhered to the chuck using hot melt, PVA or similar glue. The scrap block is adjusted as required for each use. When the block needs replacing the glue chuck is cleaned up and a new scrap block is adhered to the glue chuck.



A glue chuck, and a glue chuck with a sacrificial block adhered to the chuck. The slots in the sacrificial block allow access close to the bottom of a bowl when using callipers to measure bowl thickness.