

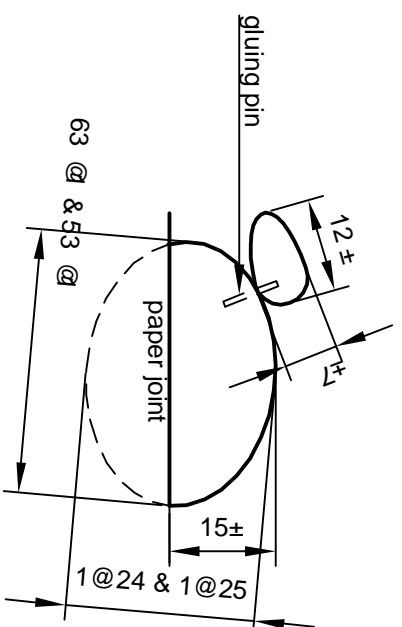
Note: All items are drawn at full size.



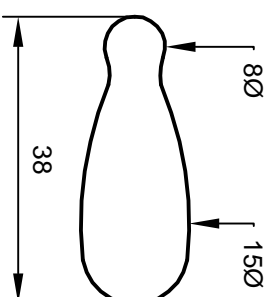
A nativity scene in sheoak
by Ted Stewart-Wynne

NATIVITY SCENE

by Ted Stewart-Wynne (WAWA 961)



Lambs (2)

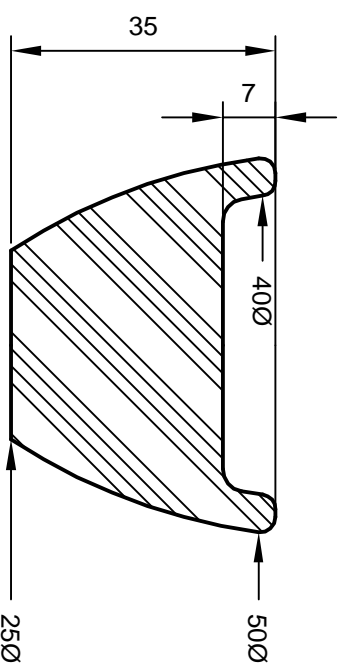


Baby Jesus

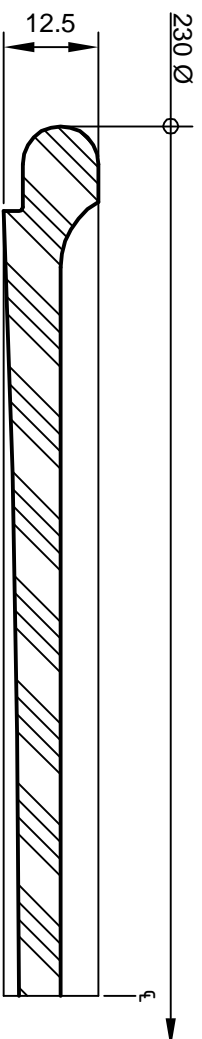
CUTTING LIST

Mary	-	90x55x55 Sheoak
Joseph	-	110x40Ø Sheoak
Shepherd	-	120x40Ø Jarrah
King 1	-	130x40Ø Mulga
King 2	-	135x40Ø Marri
King 3	-	140x40Ø Blackbutt
Baby Jesus	-	50x15Ø Olive
Manger	-	45x55Ø
Lambs x 2	-	40x25 (paper joint)
Lambs heads	-	12x8Ø Sheoak
Shepherds	-	
Hand	-	Sheoak
Platter	-	245Ø x 20 Sheoak

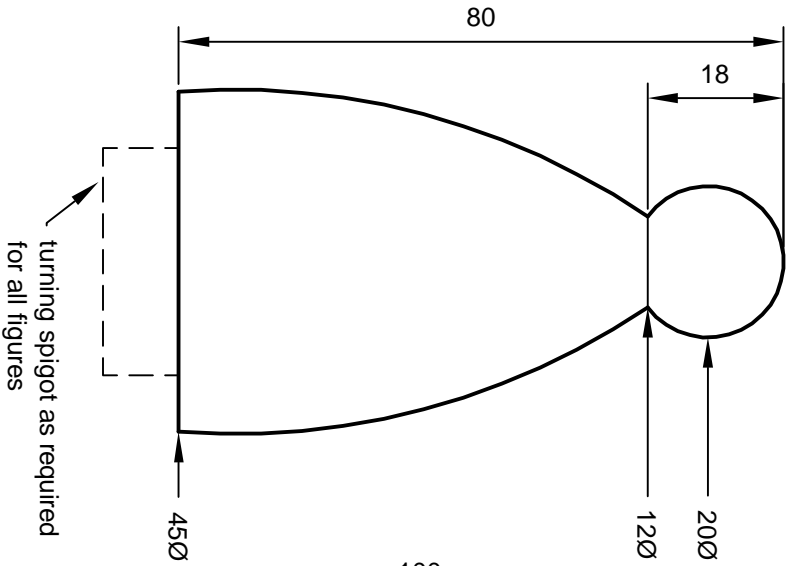
NOTE: Add wastage as required for chucking etc. to the above dimensions



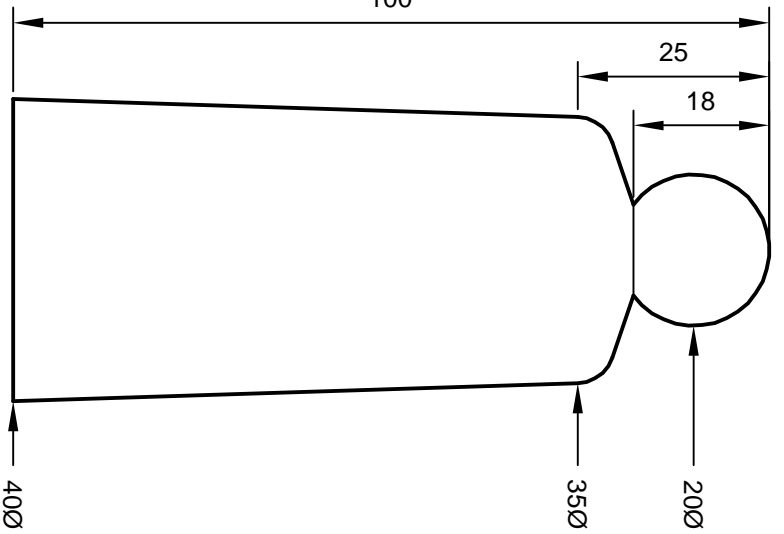
Section through Manger



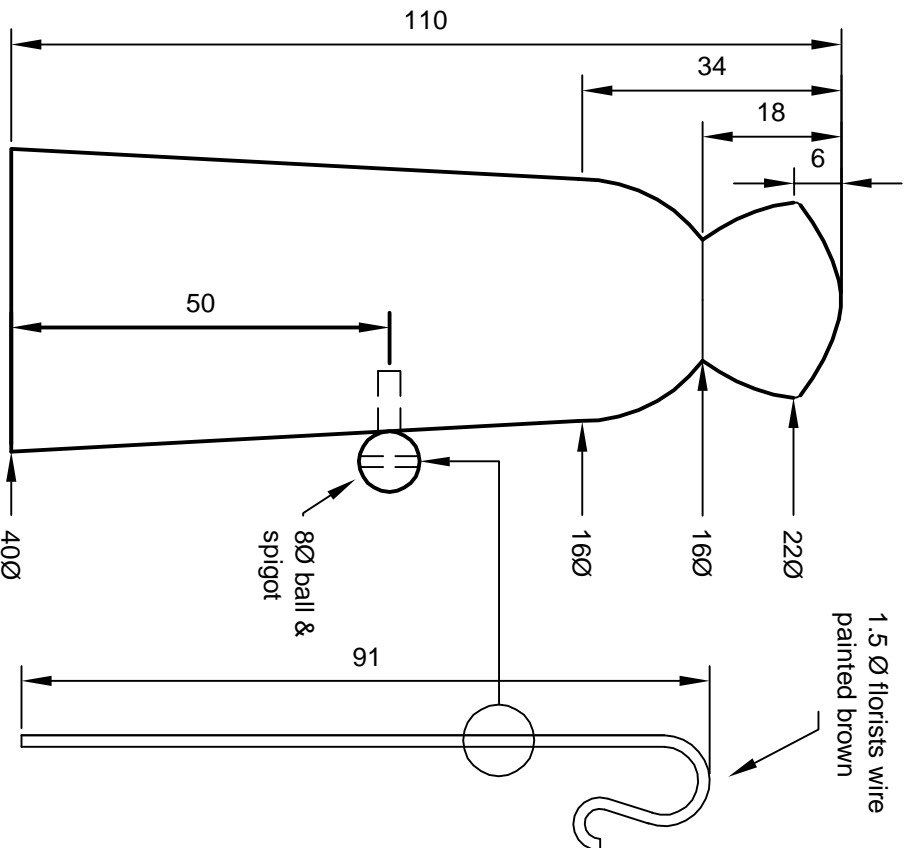
Section through Platter



Mary



Joseph



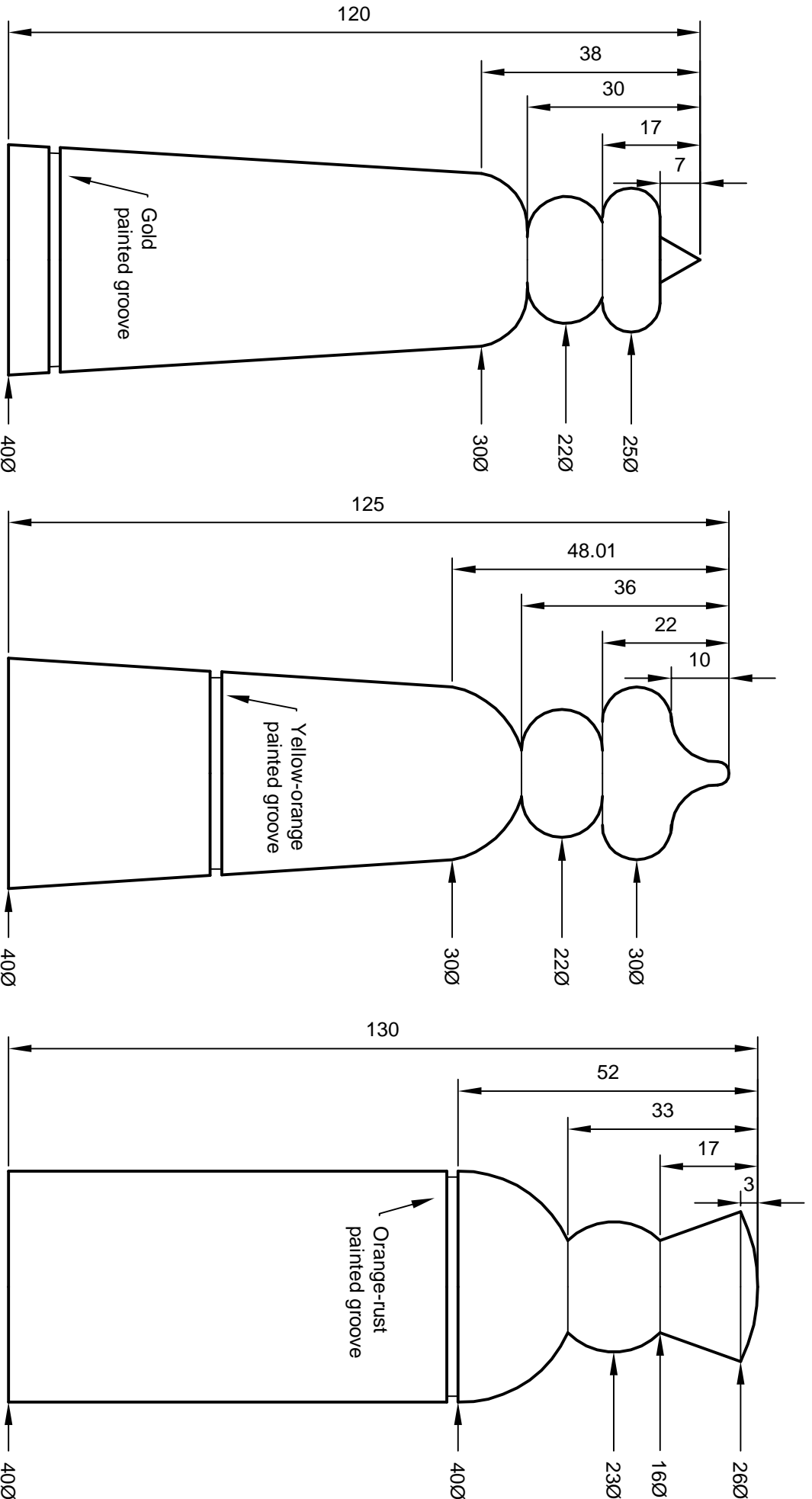
Shepherd

Shepherd's
Crook

Note: All items are drawn at full size.

NATIVITY SCENE

by Ted Stewart-Wynne (WAWA 961)



NATIVITY SCENE

by Ted Stewart-Wynne (WAWA 9611)

Note: All items are drawn at full size.