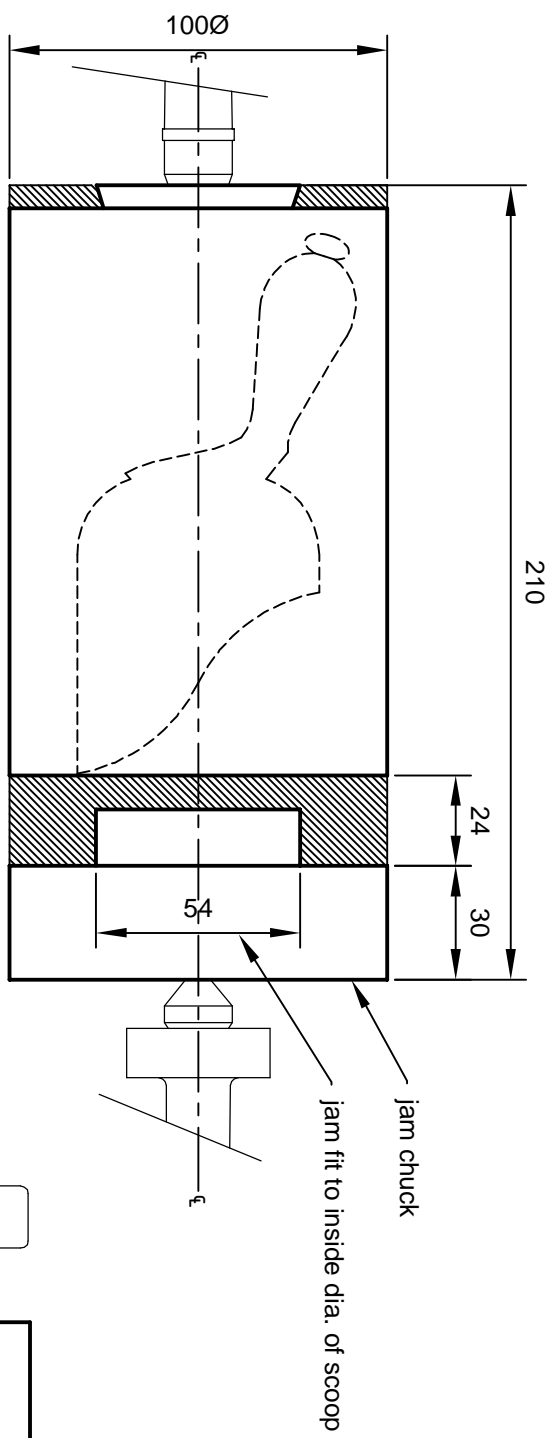


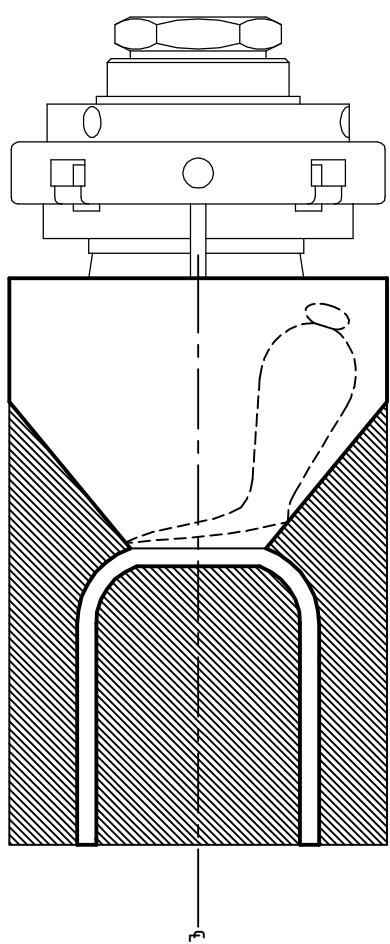
# A SCOOP

By courtesy of Ian Moss (1837)



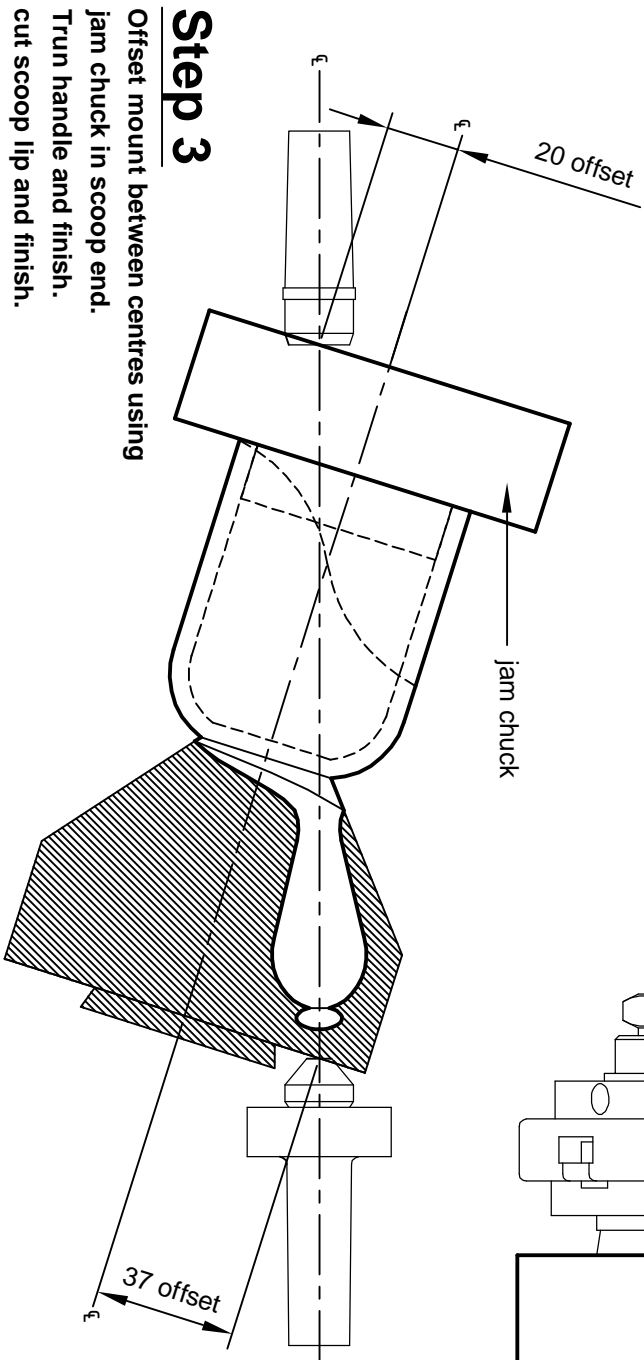
## Step 1

Mount between centres.  
Turn chucking spigot.  
Turn jam chuck and part off.



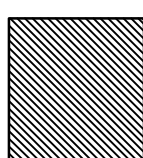
## Step 2

Mount in chuck.  
Hollow out scoop & finish.  
Turn outside of scoop & finish.



## Step 3

Offset mount between centres using  
jam chuck in scoop end.  
Trun handle and finish.  
cut scoop lip and finish.

 = portions to be turned away

# A SCOOP

By courtesy of Ian Moss (1837)